

# Ribbon Interconnect Cable, Plenum

8 F, 50 μm multimode, extended 10G distance (OM4)

CORNING

Corning ribbon plenum interconnect cables are designed for multifiber connector interconnect applications from equipment to patch panel or as a patch cord. Available with two, four, eight or 12 fibers, these cables make compact, rugged patch cables and offer a perfect complement to multifiber connector strategies. Dielectric strength members offer mechanical durability within a flexible, flame-listed, retardant jacket. The cables meet application requirements of the National Electrical Code (NEC) Article 770 and are also OFNP and FT-6.

*This cable is available in 12 different jacket colors – blue, orange, green, brown, slate, white, red, black, yellow, violet, rose and aqua. The colored jacket allows for easy visual identification of the cables. The standard jacket color will be determined by the dominant fiber type in the cable and will use the standard part numbers shown here. Contact Customer Care at 1-800-743-2675 to order other color options.*

## Features and Benefits

### Meets NEC requirements

Meets burn test criteria

### All-dielectric strength member

Mechanical durability

### TEMPEST applications

Interference prevention

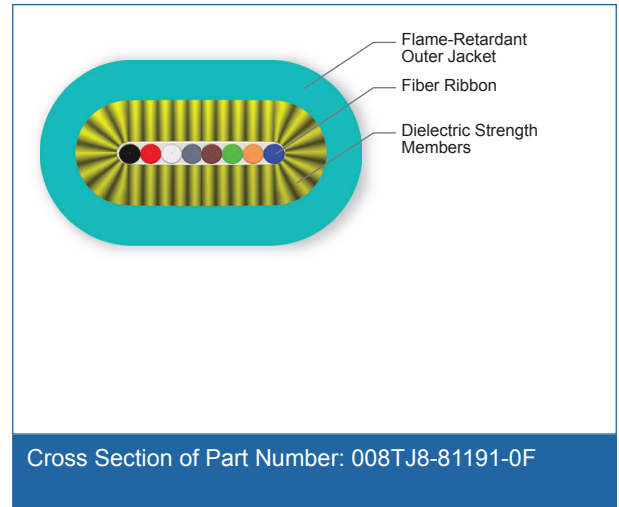
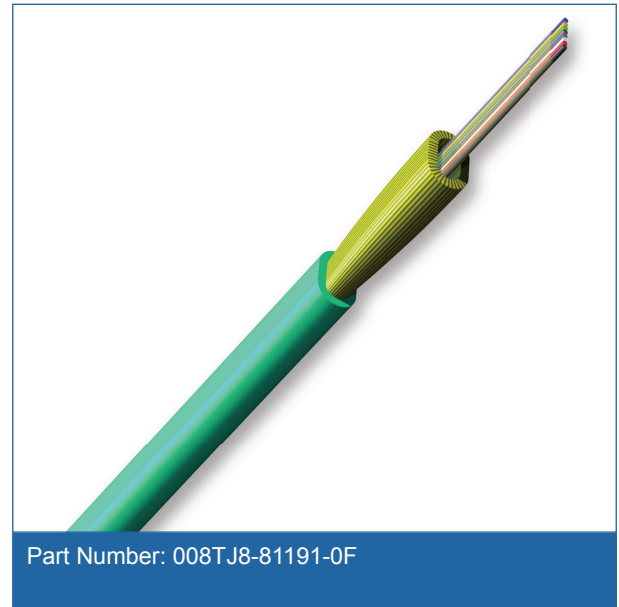
## Standards

### Approvals and Listings

National Electrical Code® (NEC®) OFNP, CSA FT-6, ICEA S-83-596

### Flame Resistance

NFPA 262 (for plenum, riser and general building applications)



# Ribbon Interconnect Cable, Plenum

8 F, 50  $\mu$ m multimode, extended 10G distance (OM4)

CORNING

## Specifications

General Specifications	
Environment	Indoor
Application	General Purpose Horizontal, Vertical Riser, Plenum
Cable Type	Ribbon
Product Type	Interconnect
Flame Rating	Plenum (OFNP)
Fiber Category	50 $\mu$ m MM (OM4+)

Temperature Range	
Storage	-40 °C to 70 °C (-40 °F to 158 °F)
Operation	0 °C to 70 °C (32 °F to 158 °F)

Cable Design	
Fiber Count	8
Number of Ribbons	1
Fibers per Ribbon	8
Fiber Coloring	Blue, Orange, Green, Brown, Slate, White, Red, Black
Tensile Strength Elements and/or Armoring - Layer 1	Dielectric strength members
Outer Jacket Material	Flame-retardant
Outer Jacket Color	Aqua

Mechanical Characteristics Cable	
Max. Tensile Strength, Short-Term	220 N (50 lbf)
Max. Tensile Strength, Long-Term	66 N (15 lbf)
Weight	7.7 kg/km (5.1 lb/1000 ft)
Nominal Outer Diameter	3.6 mm x 2.2 mm (0.14 in x 0.09 in)
Min. Bend Radius Installation	50 mm (2.0 in)
Min. Bend Radius Operation	25 mm (1.0 in)

Chemical Characteristics	
RoHS	Free of hazardous substances according to RoHS 2011/65/EU

# Ribbon Interconnect Cable, Plenum

8 F, 50 µm multimode, extended 10G distance (OM4)



## Fiber Specifications

Optical Characteristics (cabled)	
Fiber Core Diameter	50 µm
Fiber Category	OM4 Extended Distance
Fiber Code	T
Performance Option Code	91
Wavelengths	850 nm / 1300 nm
Maximum Attenuation	3.0 dB/km / 1.0 dB/km
Serial 1 Gigabit Ethernet	1100 m / 600 m
Serial 10 Gigabit Ethernet	600 m / -
Min. Overfilled Launch (OFL) Bandwidth	3500 MHz*km / 500 MHz*km
Minimum Effective Modal Bandwidth (EMB)	5350 MHz*km / -

\* Assumes 0.7 dB maximum total connector/splice loss.

\* Meets 0.75 ns optical skew when used in all Corning Plug and Play™/EDGE™ systems solutions.

Notes: 1) 50 µm multimode fiber macrobend loss ≤ 0.2 dB at 850 nm for two turns around 7.5 mm radius mandrel.

2) Improved attenuation and bandwidth options available.

3) Bend-insensitive single-mode fibers available on request.

4) Contact a Corning Customer Care Representative for additional information.

## Ordering Information

Part Number	008TJ8-81191-0F
Product Description	Ribbon Interconnect Cable, Plenum, 8 F, 50 µm multimode, extended 10G distance (OM4)



Corning Optical Communications LLC • PO Box 489 • Hickory, NC 28603-0489 USA

800-743-2675 • FAX: 828-325-5060 • International: +1-828-901-5000 • [www.corning.com/opcomm](http://www.corning.com/opcomm)

A complete listing of the trademarks of Corning Optical Communications is available at [www.corning.com/opcomm/trademarks](http://www.corning.com/opcomm/trademarks).

All other trademarks are the properties of their respective owners. Corning Optical Communications is ISO 9001 certified.

© 2016 Corning Optical Communications. All rights reserved.

