

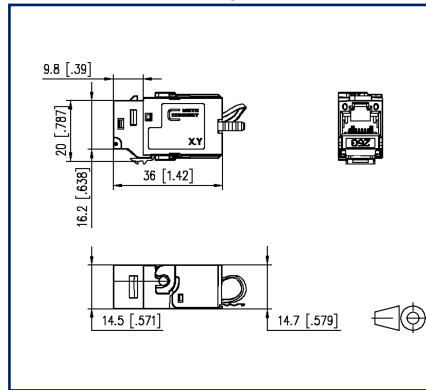
Data sheet

""25Gmodul - Keystone""

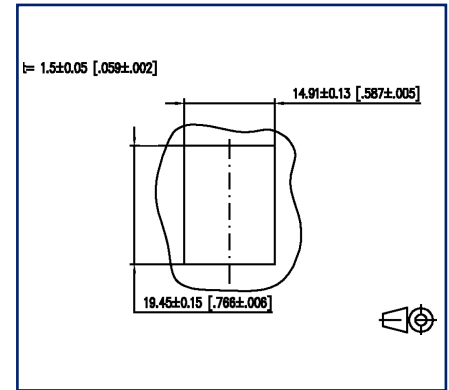
Illustrations



Dimensional drawing



Cut-out



See enlarged drawings at the end of document

Product specification

- certified by GHMT according to ISO/IEC TR-11801-9905 for 25GBASE-T in the Channel-Link with 30 m
- in preparation: ISO/IEC TR-11801-9909 for 25GBASE-T in channel link over 30 m
- completely downward compatible by complying with class E_A according to ISO/IEC 11801-1 and DIN EN 50173-1 (within the permanent link up to 90m, within the permanent link up to 100m)
- RJ45 according to IEC 60603-7-1, 2 mounting versions: module and keystone
- mounting without special tools, low mounting and connection time
- migrating 10G-systems without special tools
- connection of patch- and installations cords is possible for: AWG 26/7 - 22/7 and AWG 26/1 - 22/1
- suitable for 25Gbit/s Ethernet (IEEE 802.3bq) and 10 Gbit/s Ethernet (IEEE 802.3an), Remote Powering (PoE, PoE plus, UPoE and 4PPoE), HDBaseT, SAT-IP and AVoverIP
- solid, reusable module housing refined with zinc die-casting
- intelligent cable management in stuffer caps - also suitable for heavily twisted cables - also easy installation in various applications
- strain relief by latching clip directly on the stuffer cap
- 360°-shield connection
- dust protection cover (optional)

P | Cabling

Data sheet

Page 2/6

""25Gmodul - Keystone""

P/N

130B21-25-E

EAN 4251394607405

2021/02/04

Version: D

Technical Data

General Data

Fields of application	Office
Design	Jack
Shielding	shielded
Transmission technology	Copper
Wiring	T568A, T568B
Color	metallike
Dimensions	
Dimension (L x W x H)	36 mm x 14.7 mm x 20 mm
Dimension (L x W x H)	1.417 in. x 0.579 in. x 0.787 in.
Modularity	yes
Field assembly ability	yes
Marking option	by latching clip

Transmission characteristics

Class (ISO/IEC)	E _A
Remote Powering	yes
PoE	IEEE 802.3af
PoE plus	IEEE 802.3at
UPoE	yes
4PPoE	IEEE 802.3bt
HDBaseT	yes
Transmission rate up to 10 GBit	IEEE 802.3an
Transmission rate up to 25 GBit (Fast Ethernet)	IEEE 802.3bq

Connections/interfaces

Connector technology interface 1	IDC-connection
Connector technology interface 2	RJ45-jack
Number of ports interface 2	1
Number of ports interface 2 equipped	1
Number of positions/contacts interface 1	8
Number of positions/contacts interface 2	8P/8C



P | Cabling

Data sheet

Page 3/6

""25Gmodul - Keystone""

P/N

130B21-25-E

EAN 4251394607405

2021/02/04

Version: D

Technical Data

Connections/interfaces

Termination data, solid wire (min. - max.)

Conductor cross section, solid wire AWG 26/1 - AWG 22/1

Conductor cross section, solid wire 0.128 mm² - 0.324 mm²

Conductor diameter, solid wire (bare copper) 0.409 mm - 0.643 mm

Conductor diameter, solid wire (bare copper) 0.016 in. - 0.025 in.

Termination data, stranded wire (min. - max.)

Conductor cross section, stranded wire AWG 26/7 - AWG 22/7

Conductor cross section, stranded wire 0.141 mm² - 0.355 mm²

Conductor diameter, stranded wire (bare copper) 0.483 mm - 0.762 mm

Conductor diameter, stranded wire (bare copper) 0.019 in. - 0.03 in.

Cable access/outlet 180°

Electrical characteristics

Current carrying capacity max. 1 A

Rated voltage max. 50 V

Contact resistance max. 20 mOhm

Through resistance max. 200 mOhm

Insulation resistance min. 500 MOhm

Dielectric strength conductor-conductor (secondary) max. 1000 V DC

Mechanical data

Cut-out Keystone

Mounting method snap-in function

Insertion and withdrawal force max. 30 N

Position/mounting of latch - standard installation position bottom

strain relief latching clip

Materials and material properties

Material - Housing GD-Zn (zinc die-cast)

Material - Contact Spring steel

Material - Contact finish Au (gold)

Material - Shield GD-Zn (zinc die-cast)

Material - Stuffer cap PA 6.6 UL94 V0

Material - Strain relief PA 6.6 UL94 V0

Material - Finish Ni (nickel)

RoHS compliant

P | Cabling

Data sheet

Page 4/6

""25Gmodul - Keystone""

P/N

130B21-25-E

EAN 4251394607405

2021/02/04

Version: D

Technical Data

Materials and material properties

REACH - substance (SVHC) none

Environmental conditions

Rapid change of temperature -40°C / -40°F - +70°C / 158°F / 25 cycles t=30 min

Electromagnetic measurement E2

Certifications

GHMT Type Approval 2 Connector Permanent Link, Class EA | 2 Connector Channel Link, 30 m Class 1 up to 1,25 GHz

Approvals

CE compliant

UL listed (file no.) DUXR.E178484

The product meets the following standards

Generic cabling systems

General requirements ANSI/TIA-568-C

Office buildings ISO/IEC 11801 Ed.2.2: 2011-06 | DIN EN 50173-2
ANSI/TIA-568-C

Living units ISO/IEC 15018 | DIN EN 50173-4
ANSI/TIA-570-B

Connectors for electronic equipment - Tests and measurements

Test schedule for connectors DIN-EN 60512-99-001, DIN-EN 60512-99-002

Interference proof

Immunity for industrial environments DIN EN 61000-6-2:2006-03

Emission proof

Electromagnetic emission for residential, commercial and light-indus DIN EN 61000-6-3:2011-09

Climate tests IEC 60512-11

Classifications

ETIM 7.0 EC001121

Packing details

Type of packaging 10 pc(s) / box

P | Cabling

Data sheet

Page 5/6

""25Gmodul - Keystone""

P/N

130B21-25-E

EAN 4251394607405

2021/02/04

Version: D

Zubehör von

P/N	Designation
130861-0202KE	Keystone surface mount housing 2 port pure white, unequipped
130861-0302KE	Keystone surface mount housing 3 port pure white, unequipped
130861-0402KE	Keystone surface mount housing 4 port pure white, unequipped
130861-0602KE	Keystone surface mount housing 6 port pure white, unequipped
130861-0802KE	Keystone surface mount housing 8 port pure white, unequipped
130861-0802KE85	AP Patchfeld unbestückt für 8xRJ45 RAL 9010 Keystone AP-Geh 8 Port ZATEC
130861-1202KE	Keystone surface mount housing 12 port pure white, unequipped
130861-1602KE	Keystone surface mount housing 16 port pure white, unequipped
130861-2402KE	Keystone surface mount housing 2x12 port pure white, unequipped

P | Cabling

Data sheet

""25Gmodul - Keystone""

Page 6/6

P/N

130B21-25-E

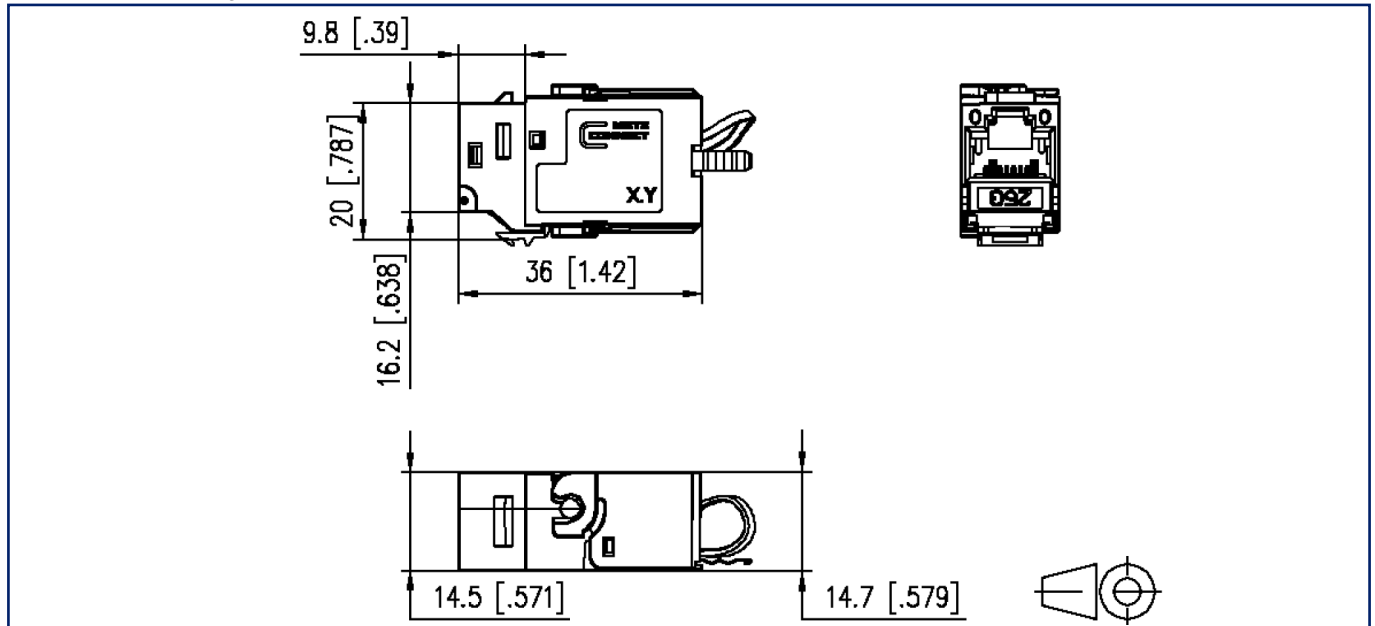
EAN 4251394607405

2021/02/04

Version: D

Illustrations

Dimensional drawing



Cut-out

