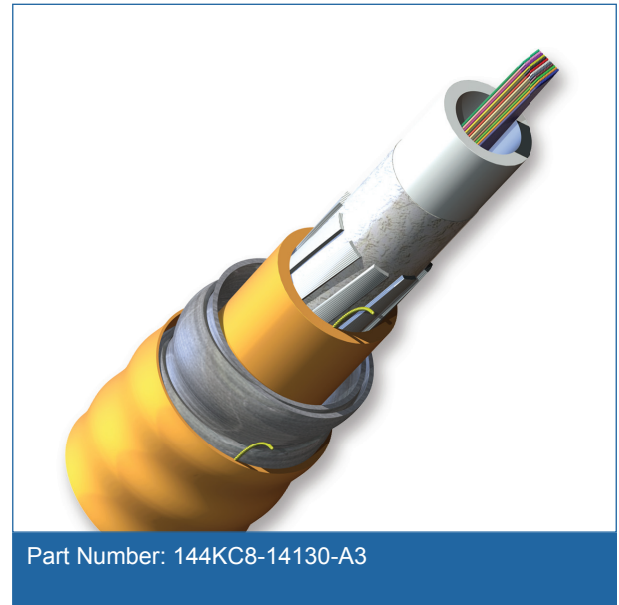


# Ribbon Interlocking Armored Cable, Plenum

144 F, 62.5 μm multimode (OM1)

CORNING

Corning ribbon interlocking armored plenum cables are designed for use in plenum, riser and general-purpose environments for intrabuilding backbone and horizontal installations. These cables are standard ribbon plenum cables placed inside spirally wrapped aluminum interlocking armor for ruggedness and superior crush resistance. This special construction facilitates routing inside buildings, through riser shafts and air-handling spaces, to telecommunication rooms and to workstations. Ideal for heavy traffic or more challenging mechanical exposure conditions, this cable design consists of fibers organized into 12-fiber ribbons inside a central tube surrounded by dielectric strength members to provide tensile strength. The flexible interlocking armor offers up to seven times the crush protection of nonarmored cables, while a specially formulated flame-retardant outer jacket allows the design to meet the requirements of the NFPA 262 flame test. The 12-fiber ribbons have readily identifiable ribbon ID numbers and fiber colors with easy access to individual fibers.



## Features and Benefits

### Ribbon ID numbers and fiber colors

Easily identifiable

### Precise fiber and ribbon geometries

Excellent mass splicing yields

### Flame-retardant jacket

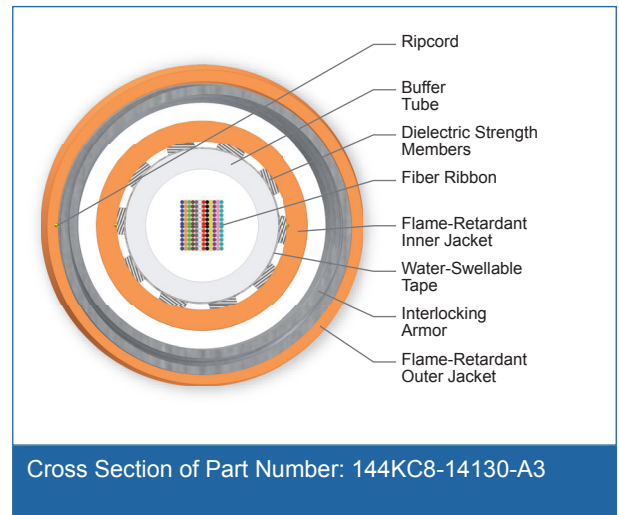
Rugged and durable

### Flexible interlocking armor

Up to seven times the crush protection compared to non-armored cables

### Common installations

Indoor plenum, riser and general building applications



## Standards

### Listings

National Electrical Code®  
(NEC®) OFNP

### Design Criteria

CSA FT-6

### Test Criteria

ANSI/ICEA S-83-596

CORNING

# Ribbon Interlocking Armored Cable, Plenum

144 F, 62.5  $\mu$ m multimode (OM1)

CORNING

## Specifications

General Specifications	
Environment	Indoor
Application	General Purpose Horizontal, Vertical Riser, Plenum
Cable Type	Ribbon
Product Type	Interlocking armor
Flame Rating	Plenum (OFCP)
Fiber Category	62.5 $\mu$ m MM (OM1)

Temperature Range	
Storage	-40 °C to 70 °C (-40 °F to 158 °F)
Installation	0 °C to 60 °C (32 °F to 140 °F)
Operation	0 °C to 70 °C (32 °F to 158 °F)

Cable Design	
Fiber Count	144
Ribbons per Tube	12
Fibers per Ribbon	12
Fiber Coloring	Blue, Orange, Green, Brown, Slate, White, Red, Black, Yellow, Violet, Rose, Aqua
Buffer Tube Color	Natural
Buffer Tube Diameter	11 mm (0.43 in)
Tape	Water-swellable
Tensile Strength Elements and/or Armoring - Layer 1	Dielectric strength members
Number of Ripcords	2
Inner Jacket Material	Flame-retardant
Tensile Strength Elements and/or Armoring - Layer 3	Interlocking armor
Outer Jacket Material	Flame-retardant
Outer Jacket Color	Orange

Mechanical Characteristics Cable	
Max. Tensile Strength, Short-Term	1320 N (300 lbf)
Max. Tensile Strength, Long-Term	400 N (90 lbf)
Nominal Inner Cable Diameter	15.5 mm (0.61 in)
Nominal Outer Diameter	22.5 mm (0.89 in)

# Ribbon Interlocking Armored Cable, Plenum

144 F, 62.5  $\mu\text{m}$  multimode (OM1)

CORNING

## Mechanical Characteristics Cable

Min. Bend Radius Installation	337.5 mm (14.9 in)
Min. Bend Radius Operation	225 mm (8.9 in)
Weight	400 kg/km (289.3 lb/1000 ft)

## Chemical Characteristics

RoHS	Free of hazardous substances according to RoHS 2011/65/EU
------	---

## Fiber Specifications

### Optical Characteristics (cabled)

Fiber Core Diameter	62.5 $\mu\text{m}$
Fiber Category	OM1
Fiber Code	K
Performance Option Code	30
Wavelengths	850 nm / 1300 nm
Maximum Attenuation	3.4 dB/km / 1.0 dB/km
Serial 1 Gigabit Ethernet	300 m / 550 m
Serial 10 Gigabit Ethernet	33 m / -
Min. Overfilled Launch (OFL) Bandwidth	200 MHz*km / 500 MHz*km
Minimum Effective Modal Bandwidth (EMB)	220 MHz*km / -

Notes: 1) Improved attenuation and bandwidth options available.  
2) Bend-insensitive single-mode fibers available on request.  
3) Contact a Corning Customer Care Representative for additional information.

## Ordering Information

Part Number	144KC8-14130-A3
Product Description	Ribbon Interlocking Armored Cable, Plenum, 144 F, 62.5 $\mu\text{m}$ multimode (OM1)
EAN Code	4056418190310

# Ribbon Interlocking Armored Cable, Plenum

144 F, 62.5  $\mu\text{m}$  multimode (OM1)

The CORNING logo is displayed in white, uppercase letters within a solid blue square.

## Notes



Corning Optical Communications LLC • PO Box 489 • Hickory, NC 28603-0489 USA

800-743-2675 • FAX: 828-325-5060 • International: +1-828-901-5000 • [www.corning.com/opcomm](http://www.corning.com/opcomm)

A complete listing of the trademarks of Corning Optical Communications is available at [www.corning.com/opcomm/trademarks](http://www.corning.com/opcomm/trademarks).

All other trademarks are the properties of their respective owners. Corning Optical Communications is ISO 9001 certified.

© 2016 Corning Optical Communications. All rights reserved.