

## Data sheet

Patch cord Cat.6<sub>A</sub> AWG 26 20.0 m gray

Page 1/6

P/N

130845B033-E

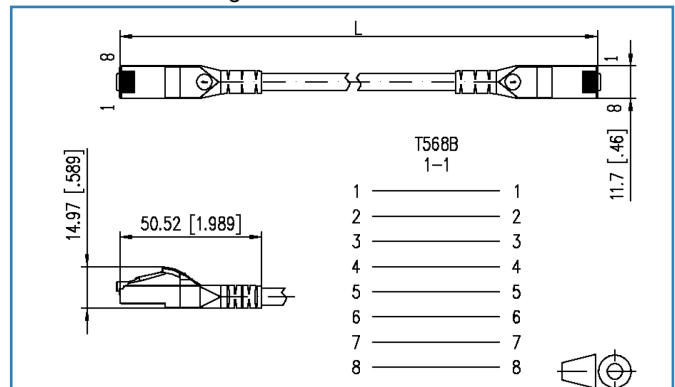
EAN 4250184119371

2017-15-08

### Illustrations



Dimensional drawing



See enlarged drawings at the end of document



### Product specification

- especially suitable for shielded and unshielded class E<sub>A</sub> systems
- fully shielded Cat.6<sub>A</sub> patch cord AWG 26/7
- two shielded RJ45 connectors; 1:1 assignment
- cable type: S/FTP 4x2xAWG 26/7 PIMF
- cable sheath: LSHF(LSOH), halogen free
- Cat.6<sub>A</sub> to ISO/IEC 11801 Ed.2.2 (2011-06) and IEC 61935-2 Ed. 3.0 (2010-07), certified to GHMT
- class E<sub>A</sub> Link up to 500 MHz to ISO/IEC 11801 Ed.2.2:2011-06, DIN EN 50173-1:2011-09
- suitable for 10 GBit Ethernet (IEEE 802.3an) and Remote Powering (PoE, PoE plus and UPoE) and HDBaseT
- snagless boot with integrated lever protection
- colors may differ slightly due to different protection lots



### Technical Data

#### General Data

|                                     |                           |
|-------------------------------------|---------------------------|
| Fields of application               | Office                    |
| Design                              | Patch cords               |
| Shielding                           | shielded                  |
| Transmission technology             | Copper                    |
| Cable Type                          | S/FTP                     |
| Number of twisting elements         | 4                         |
| Twisting element                    | Pair                      |
| Wiring                              | 1 - 1                     |
| Color                               | gray                      |
| Dimensions                          |                           |
| Dimension - Interface 1 (L x W x H) | 50.52 x 11.70 x 14.97 mm  |
| Dimension - Interface 1 (L x W x H) | 1.989 x 0.461 x 0.589 in. |
| Dimension - Interface 2 (L x W x H) | 50.52 x 11.70 x 14.97 mm  |
| Dimension - Interface 2 (L x W x H) | 1.989 x 0.461 x 0.589 in. |
| Cable length (m)                    | 20.00 m                   |
| Cable length (ft)                   | 65.62 ft                  |
| Marking option                      | by cable boot             |

#### Transmission characteristics

|                                 |                |
|---------------------------------|----------------|
| Category (ISO)                  | 6 <sub>A</sub> |
| Class (ISO/IEC)                 | E <sub>A</sub> |
| Category (TIA)                  | 6A             |
| PoE                             | IEEE 802.3af   |
| PoE plus                        | IEEE 802.3at   |
| UPoE                            | yes            |
| Transmission rate up to 10 GBit | IEEE 802.3an   |

#### Connections/interfaces

|                                      |           |
|--------------------------------------|-----------|
| Connector technology interface 1     | RJ45 plug |
| Connector technology interface 2     | RJ45 plug |
| Number of ports interface 1          | 1         |
| Number of ports interface 2          | 1         |
| Number of equipped ports interface 1 | 1         |
| Number of ports interface 2 equipped | 1         |



### Technical Data

#### Connections/interfaces

|   |                       |
|---|-----------------------|
| Number of positions/contacts interface 1        | 8P/8C                 |
| Number of positions/contacts interface 2        | 8P/8C                 |
| Termination data, stranded wire (min. - max.)   |                       |
| Conductor cross section, stranded wire          | AWG 26/7              |
| Conductor cross section, stranded wire          | 0.141 mm <sup>2</sup> |
| Conductor diameter, stranded wire (bare copper) | 0.483 mm              |
| Conductor diameter, stranded wire (bare copper) | 0.019 in.             |

#### Electrical characteristics

|   |               |
|---|---------------|
| Current carrying capacity                           | max. 1 A      |
| Rated voltage                                       | max. 50 V     |
| Contact resistance                                  | max. 20 mOhm  |
| Through resistance                                  | max. 200 mOhm |
| Insulation resistance                               | min. 100 MOhm |
| Dielectric strength conductor-conductor (primarily) | max. 500 V DC |
| Dielectric strength conductor-conductor (secondary) | max. 500 V DC |

#### Mechanical characteristics

|   |     |
|---|-----|
| Position/mounting of latch - standard installation position | top |
|---|-----|

#### Materials and material properties

|   |                    |
|---|--------------------|
| Material - Cable jacket                 | LSHF (LSOH)        |
| Material - Plug housing interface 1     | PC (polycarbonate) |
| Material - Plug housing interface 2     | PC (polycarbonate) |
| Material - Contact interface 1          | CuSn (tin bronze)  |
| Material - Contact interface 2          | CuSn (tin bronze)  |
| Material - Contact finish interface 1   | Au (gold)          |
| Material - Contact finish interface 2   | Au (gold)          |
| Material - Contact carriers interface 1 | Plastics           |
| Material - Contact carriers interface 2 | Plastics           |
| Material - Shield interface 1           | CuSn (tin bronze)  |
| Material - Shield interface 2           | CuSn (tin bronze)  |
| Material - Shield finish interface 1    | Sn (tin)           |
| Material - Shield finish interface 2    | Sn (tin)           |

### Technical Data

#### Materials and material properties

Halogen free yes

#### Environmental conditions

Temperature (min. - max.)

Temperature - Storage °C -20 - 60 °C

Temperature - Storage °F -4 - 140 °F

Temperature - Operating °C -20 - 60 °C

Temperature - Operating °F -4 - 140 °F

Temperature - Installation °C 0 - 50 °C

Temperature - Installation °F 32 - 122 °F

#### Certifications

GHMT Component



GHMT component - Validity period 31.03.2017

#### Approvals

RoHS compliant

#### The product meets the following standards

Generic cabling systems

General requirements ISO/IEC 11801 Ed.2.2: 2011-06 | DIN EN 50173-1: 2011-09  
TIA/EIA 568-C.2

Connectors for electronic equipment

Free and fixed connectors IEC 60603-7-51

Information technology equipment -  
Radio disturbance characteristics

DIN EN 55022

Specification for the testing of balanced and coaxial information technology cabling

Cords as specified in ISO/IEC 11801 and related standards IEC 61935-2 Ed. 3.0 (2010-07)



Data sheet

Page 5/6

**Patch cord Cat.6<sub>A</sub> AWG 26 20.0 m gray**

P/N

130845B033-E

EAN 4250184119371

2017-15-08

## Technical Data

### Classifications

|          |          |
|----------|----------|
| ETIM 5.0 | EC001262 |
| ETIM 6.0 | EC001262 |

### Packing details

|                                 |                       |
|---------------------------------|-----------------------|
| Type of packaging               | 1 pc(s) / plastic bag |
| Packaging unit - Weight (gram)  | 807.00 g              |
| Packaging unit - Weight (pound) | 1.78 lb               |



## Illustrations

Dimensional drawing

