

Data sheet

Patch cord Cat.6_A AWG 26 20.0 m blue

Page 1/6

P/N

130845B044-E

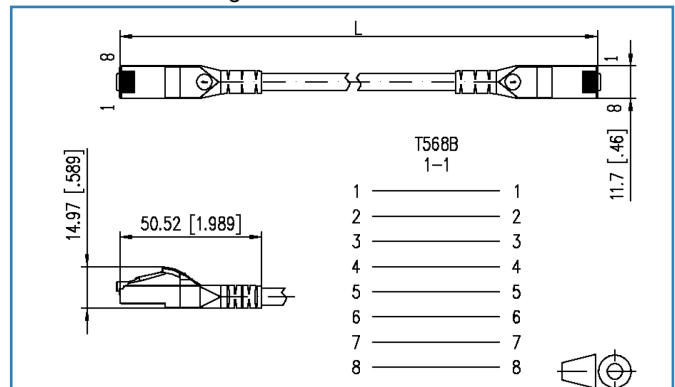
EAN 4250184144182

2017-16-08

Illustrations



Dimensional drawing



See enlarged drawings at the end of document



Product specification

- especially suitable for shielded and unshielded class E_A systems
- fully shielded Cat.6_A patch cord AWG 26/7
- two shielded RJ45 connectors; 1:1 assignment
- cable type: S/FTP 4x2xAWG 26/7 PIMF
- cable sheath: LSHF(LSOH), halogen free
- Cat.6_A to ISO/IEC 11801 Ed.2.2 (2011-06) and IEC 61935-2 Ed. 3.0 (2010-07), certified to GHMT
- class E_A Link up to 500 MHz to ISO/IEC 11801 Ed.2.2:2011-06, DIN EN 50173-1:2011-09
- suitable for 10 GBit Ethernet (IEEE 802.3an) and Remote Powering (PoE, PoE plus and UPoE) and HDBaseT
- snagless boot with integrated lever protection
- colors may differ slightly due to different protection lots

Technical Data

General Data

Fields of application

Office

Design

Patch cords

Shielding

shielded

Transmission technology

Copper

Cable Type

S/FTP

Number of twisting elements

4

Twisting element

Pair

Wiring

1 - 1

Color

blue

Dimensions

Dimension - Interface 1 (L x W x H)

50.52 x 11.70 x 14.97 mm

Dimension - Interface 1 (L x W x H)

1.989 x 0.461 x 0.589 in.

Dimension - Interface 2 (L x W x H)

50.52 x 11.70 x 14.97 mm

Dimension - Interface 2 (L x W x H)

1.989 x 0.461 x 0.589 in.

Cable length (m)

20.00 m

Cable length (ft)

65.62 ft

Marking option

by cable boot

Transmission characteristics

Category (ISO)

6_A

Class (ISO/IEC)

E_A

Category (TIA)

6A

PoE

IEEE 802.3af

PoE plus

IEEE 802.3at

UPoE

yes

Transmission rate up to 10 GBit

IEEE 802.3an

Connections/interfaces

Connector technology interface 1

RJ45 plug

Connector technology interface 2

RJ45 plug

Number of ports interface 1

1

Number of ports interface 2

1

Number of equipped ports interface 1

1

Number of ports interface 2 equipped

1



Technical Data

Connections/interfaces

Number of positions/contacts interface 1	8P/8C
Number of positions/contacts interface 2	8P/8C
Termination data, stranded wire (min. - max.)	
Conductor cross section, stranded wire	AWG 26/7
Conductor cross section, stranded wire	0.141 mm ²
Conductor diameter, stranded wire (bare copper)	0.483 mm
Conductor diameter, stranded wire (bare copper)	0.019 in.

Electrical characteristics

Current carrying capacity	max. 1 A
Rated voltage	max. 50 V
Contact resistance	max. 20 mOhm
Through resistance	max. 200 mOhm
Insulation resistance	min. 100 MOhm
Dielectric strength conductor-conductor (primarily)	max. 500 V DC
Dielectric strength conductor-conductor (secondary)	max. 500 V DC

Mechanical characteristics

Position/mounting of latch - standard installation position	top
---	-----

Materials and material properties

Material - Cable jacket	LSHF (LSOH)
Material - Plug housing interface 1	PC (polycarbonate)
Material - Plug housing interface 2	PC (polycarbonate)
Material - Contact interface 1	CuSn (tin bronze)
Material - Contact interface 2	CuSn (tin bronze)
Material - Contact finish interface 1	Au (gold)
Material - Contact finish interface 2	Au (gold)
Material - Contact carriers interface 1	Plastics
Material - Contact carriers interface 2	Plastics
Material - Shield interface 1	CuSn (tin bronze)
Material - Shield interface 2	CuSn (tin bronze)
Material - Shield finish interface 1	Sn (tin)
Material - Shield finish interface 2	Sn (tin)



Technical Data

Materials and material properties

Halogen free yes

Environmental conditions

Temperature (min. - max.)

Temperature - Storage °C -20 - 60 °C

Temperature - Storage °F -4 - 140 °F

Temperature - Operating °C -20 - 60 °C

Temperature - Operating °F -4 - 140 °F

Temperature - Installation °C 0 - 50 °C

Temperature - Installation °F 32 - 122 °F

Certifications

GHMT Component



GHMT component - Validity period 31.03.2017

Approvals

RoHS compliant

The product meets the following standards

Generic cabling systems

General requirements ISO/IEC 11801 Ed.2.2: 2011-06 | DIN EN 50173-1: 2011-09
TIA/EIA 568-C.2

Connectors for electronic equipment

Free and fixed connectors IEC 60603-7-51

Information technology equipment -
Radio disturbance characteristics

DIN EN 55022

Specification for the testing of balanced and coaxial information technology cabling

Cords as specified in ISO/IEC 11801 and related standards IEC 61935-2 Ed. 3.0 (2010-07)



Data sheet

Page 5/6

Patch cord Cat.6_A AWG 26 20.0 m blue

P/N

130845B044-E

EAN 4250184144182

2017-16-08

Technical Data

Classifications

ETIM 5.0	EC001262
ETIM 6.0	EC001262

Packing details

Type of packaging	1 pc(s) / plastic bag
Packaging unit - Weight (gram)	807.00 g
Packaging unit - Weight (pound)	1.78 lb



Illustrations

Dimensional drawing

