

## Data sheet

Patch cord Cat.6<sub>A</sub> AWG 26 25.0 m red

Page 1/6

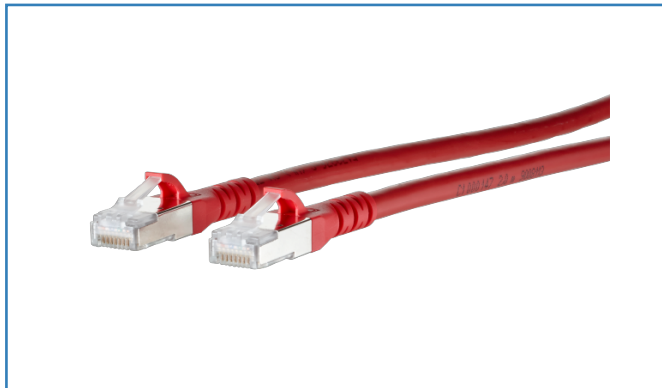
P/N

130845B566-E

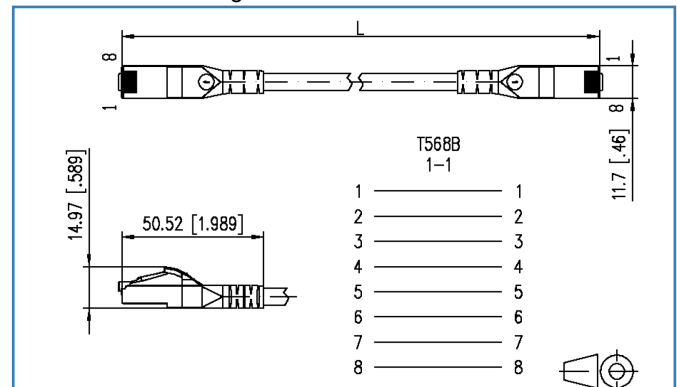
EAN 4250184154563

2017-15-08

### Illustrations



Dimensional drawing



See enlarged drawings at the end of document



### Product specification

- especially suitable for shielded and unshielded class E<sub>A</sub> systems
- fully shielded Cat.6<sub>A</sub> patch cord AWG 26/7
- two shielded RJ45 connectors; 1:1 assignment
- cable type: S/FTP 4x2xAWG 26/7 PIMF
- cable sheath: LSHF(LSOH), halogen free
- Cat.6<sub>A</sub> to ISO/IEC 11801 Ed.2.2 (2011-06) and IEC 61935-2 Ed. 3.0 (2010-07), certified to GHMT
- class E<sub>A</sub> Link up to 500 MHz to ISO/IEC 11801 Ed.2.2:2011-06, DIN EN 50173-1:2011-09
- suitable for 10 GBit Ethernet (IEEE 802.3an) and Remote Powering (PoE, PoE plus and UPoE) and HDBaseT
- snagless boot with integrated lever protection
- colors may differ slightly due to different protection lots

### Technical Data

#### General Data

Fields of application	Office
Design	Patch cords
Shielding	shielded
Transmission technology	Copper
Cable Type	S/FTP
Number of twisting elements	4
Twisting element	Pair
Wiring	1 - 1
Color	red
Dimensions	
Dimension - Interface 1 (L x W x H)	50.52 x 11.70 x 14.97 mm
Dimension - Interface 1 (L x W x H)	1.989 x 0.461 x 0.589 in.
Dimension - Interface 2 (L x W x H)	50.52 x 11.70 x 14.97 mm
Dimension - Interface 2 (L x W x H)	1.989 x 0.461 x 0.589 in.
Cable length (m)	25.00 m
Cable length (ft)	82.02 ft
Marking option	by cable boot

#### Transmission characteristics

Category (ISO)	6 <sub>A</sub>
Class (ISO/IEC)	E <sub>A</sub>
Category (TIA)	6A
Remote Powering	yes
PoE	IEEE 802.3af
PoE plus	IEEE 802.3at
UPoE	yes
HDBaseT	yes
Transmission rate up to 10 GBit	IEEE 802.3an



### Technical Data

#### Connections/interfaces

Connector technology interface 1	RJ45 plug
Connector technology interface 2	RJ45 plug
Number of ports interface 1	1
Number of ports interface 2	1
Number of equipped ports interface 1	1
Number of ports interface 2 equipped	1
Number of positions/contacts interface 1	8P/8C
Number of positions/contacts interface 2	8P/8C
Termination data, stranded wire (min. - max.)	
Conductor cross section, stranded wire	AWG 26/7
Conductor cross section, stranded wire	0.141 mm <sup>2</sup>
Conductor diameter, stranded wire (bare copper)	0.483 mm
Conductor diameter, stranded wire (bare copper)	0.019 in.

#### Electrical characteristics

Current carrying capacity	max. 1 A
Rated voltage	max. 50 V
Contact resistance	max. 20 mOhm
Through resistance	max. 200 mOhm
Insulation resistance	min. 100 MOhm
Dielectric strength conductor-conductor (primarily)	max. 500 V DC
Dielectric strength conductor-conductor (secondary)	max. 500 V DC

#### Mechanical characteristics

Position/mounting of latch - standard installation position	top
---	-----

#### Materials and material properties

Material - Cable jacket	LSHF (LSOH)
Material - Plug housing interface 1	PC (polycarbonate)
Material - Plug housing interface 2	PC (polycarbonate)
Material - Contact interface 1	CuSn (tin bronze)
Material - Contact interface 2	CuSn (tin bronze)
Material - Contact finish interface 1	Au (gold)
Material - Contact finish interface 2	Au (gold)

### Technical Data

#### Materials and material properties

Material - Contact carriers interface 1	Plastics
Material - Contact carriers interface 2	Plastics
Material - Shield interface 1	CuSn (tin bronze)
Material - Shield interface 2	CuSn (tin bronze)
Material - Shield finish interface 1	Sn (tin)
Material - Shield finish interface 2	Sn (tin)
Halogen free	yes

#### Environmental conditions

Temperature (min. - max.)	
Temperature - Storage °C	-20 - 60 °C
Temperature - Storage °F	-4 - 140 °F
Temperature - Operating °C	-20 - 60 °C
Temperature - Operating °F	-4 - 140 °F
Temperature - Installation °C	0 - 50 °C
Temperature - Installation °F	32 - 122 °F

#### Certifications

GHMT Component	
GHMT component - Validity period	31.03.2017

#### Approvals

RoHS	compliant
------	-----------

#### The product meets the following standards

Generic cabling systems	
General requirements	ISO/IEC 11801 Ed.2.2: 2011-06   DIN EN 50173-1: 2011-09 TIA/EIA 568-C.2
Connectors for electronic equipment	
Free and fixed connectors	IEC 60603-7-51
Information technology equipment - Radio disturbance characteristics	
	DIN EN 55022

## Technical Data

### The product meets the following standards

Specification for the testing of balanced and coaxial information technology cabling

Cords as specified in ISO/IEC 11801 and related standards	IEC 61935-2 Ed. 3.0 (2010-07)
---	-------------------------------

### Classifications

ETIM 5.0	EC001262
ETIM 6.0	EC001262

### Packing details

Type of packaging	1 pc(s) / plastic bag
Packaging unit - Weight (gram)	1007.00 g
Packaging unit - Weight (pound)	2.22 lb



### Illustrations

Dimensional drawing

