

## Data sheet

Page 1/6

### E-DAT Industry IP67 V6 cable coupler, 1 port Cat.6<sub>A</sub> - C6<sub>A</sub>modul

P/N  
1309515003-E

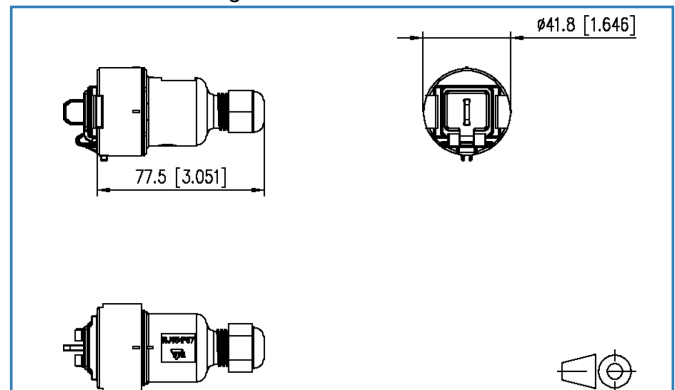
EAN 4250184162346

2018-30-01

## Illustrations



Dimensional drawing



See enlarged drawings at the end of document



## Product specification

- RJ45 termination unit C6<sub>A</sub>modul in flange housing to ISO/IEC 24702 and IEC 61076-3-106 variant 6
- certified to GHMT Cat.6<sub>A</sub> re-embedded PVP
- component testing for Cat.6<sub>A</sub> to ISO/IEC 11801 Ed. 2.2: 2011-06, DIN EN 50173-1:2011-09, TIA/EIA-568-C.2 (2009-08) and IEC 60603-7-51 Ed.1 (12/2008), certified to GHMT
- compliance with class E<sub>A</sub> to ISO/IEC 11801 Ed.2.2:2011-06, DIN EN 50173-1:2011-09
- tested: component up to 600 MHz, link up to 800 MHz
- suitable for 10 GBit Ethernet (IEEE 802.3an), Remote Powering (PoE, PoE plus and UPoE) and HDBaseT
- easy to install connection of data lines AWG 24/1 to 22/1 (solid wire) and AWG 26/7 to 22/7 (stranded wire) to insulation displacement connectors (IDC)
- intelligent cable management in stuffer cap - also suitable for heavily twisted cables
- conductor assignment to T568A and T568B is directly printed on the stuffer cap
- complies with ingress protection IP67 when plugged in
- plug face according to IEC 61076-3-106 (variant 6)
- large 360° shield contact
- can be used as cable coupler (KK) in variable applications
- connection of RJ45 plugs available on the market (no IP protection)
- mounting without special tools; strain relief directly snapped on to stuffer cap
- color: light gray RAL 7035



### Technical Data

#### General Data

Fields of application

Office  
Harsh environment

Design

Wall outlet

Shielding

shielded

Transmission technology

Copper

Wiring

T568A

Color protective housing

light gray

Dimensions

Dimension (L x W x H)

77.50 x 41.80 x 41.80 mm

Dimension (L x W x H)

3.051 x 1.646 x 1.646 in.

#### Transmission characteristics

Category (ISO)

6<sub>A</sub>

Class (ISO/IEC)

E<sub>A</sub>

Category (TIA)

6A

Remote Powering

yes

PoE

IEEE 802.3af

PoE plus

IEEE 802.3at

UPoE

yes

HDBaseT

yes

Transmission rate up to 10 GBit

IEEE 802.3an

#### Connections/interfaces

Connector technology interface 1

IDC-connection

Connector technology interface 2

RJ45-jack

Number of ports interface 2

1

Number of ports interface 2 equipped

1

Number of positions/contacts interface 1

8

Number of positions/contacts interface 2

8P/8C

Protective housing interface 1

V6

Protective housing interface 2

V6



### Technical Data

#### Connections/interfaces

Termination data, solid wire (min. - max.)

Conductor cross section, solid wire	AWG 26/1 - 22/1
Conductor cross section, solid wire	0.128 - 0.324 mm <sup>2</sup>
Conductor diameter, solid wire (bare copper)	0.409 - 0.643 mm
Conductor diameter, solid wire (bare copper)	0.016 - 0.025 in.

Termination data, stranded wire (min. - max.)

Conductor cross section, stranded wire	AWG 26/7
Conductor cross section, stranded wire	0.141 mm <sup>2</sup>
Conductor diameter, stranded wire (bare copper)	0.483 mm
Conductor diameter, stranded wire (bare copper)	0.019 in.

#### Electrical characteristics

Current carrying capacity	max. 1 A
Rated voltage	max. 50 V
Contact resistance	max. 20 mOhm
Through resistance	max. 200 mOhm
Insulation resistance	min. 500 MOhm
Dielectric strength conductor-conductor (secondary)	max. 1000 V DC

#### Mechanical characteristics

Insertion and withdrawal force	max. 30 N
Position/mounting of latch - standard installation position	top
strain relief	latching clip

#### Materials and material properties

Material - Housing	GD-Zn (zinc die-cast)
Material - Protective housing	PA UL94 V0
Material - Contact	CuSn (tin bronze)
Material - Contact finish	Ni + Au (nickel-gold)
Material - Contact carriers	PA 6.6
Material - Finish	Ni (nickel)
Material - Cable gland	PA (polyamide)
Material - Protective housing seal	NBR (nitrile butadiene rubber)
Material - Cap nut	PA (polyamide)



### Technical Data

#### Materials and material properties

Material - Protective cap PA UL94 V0

#### Environmental conditions

Temperature (min. - max.)

Temperature - Storage °C -40 - 70 °C

Temperature - Storage °F -40 - 158 °F

Temperature - Operating °C -40 - 70 °C

Temperature - Operating °F -40 - 158 °F

Particulate ingress IP6X

Liquid ingress/immersion IPX7

Rapid change of temperature -40°C / -40°F - +70°C / 158°F / 25 cycles t=30 min

Electromagnetic measurement E<sub>2</sub>

#### Certifications

GHMT Component yes

GHMT PVP



RoHS compliant

#### The product meets the following standards

Generic cabling systems

General requirements ISO/IEC 11801 Ed.2.2:2011-06 | DIN EN 50173-1:2011-09  
TIA/EIA 568-C.2

Industrial area ISO/IEC 24702 | DIN EN 50173-3: 2011-09  
TIA/EIA 1005

Connectors for electronic equipment

Free and fixed connectors DIN EN 60603-7-51:2011-01

Connectors for electronic equipment - Tests and measurements

Test schedule for connectors DIN-EN 60512-99-001: 02-2013, Pg. UEL1

Endurance tests IEC 60512-9-3: 03-2009

Degrees of Protection Provided by Enclosures IEC 60529



### Technical Data

#### The product meets the following standards

Interference proof	
Immunity for industrial environments	DIN EN 61000-6-2:2006-03
Climate tests	IEC 60512-11

#### Classifications

ETIM 5.0	EC002597
ETIM 6.0	EC002597

#### Packing details

Type of packaging	1 pc(s) / plastic bag
Packaging unit - Weight (gram)	35.00 g
Packaging unit - Weight (pound)	0.08 lb
Packaging dimension (W x H x D)	160.00 x 100.00 x 380.00 mm
Packaging dimension (W x H x D)	6.299 x 3.937 x 14.961 in.



Data sheet

Page 6/6

**E-DAT Industry IP67 V6 cable coupler, 1 port Cat.6<sub>A</sub> - C6<sub>A</sub> modul**

P/N

1309515003-E

EAN 4250184162346

2018-30-01

## Illustrations

Dimensional drawing

