

Data sheet

Keystone 19 inch module frame 1.5RU 48 port stainless steel unequipped

Page 1/5

P/N

130A24-00-E

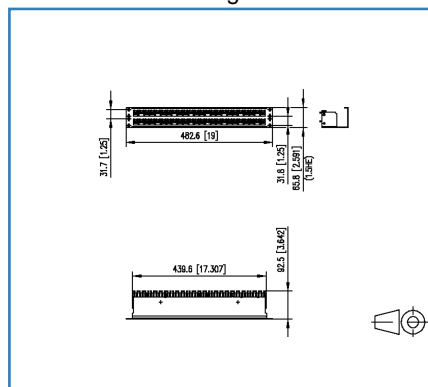
EAN 4250184141532

2017-21-08

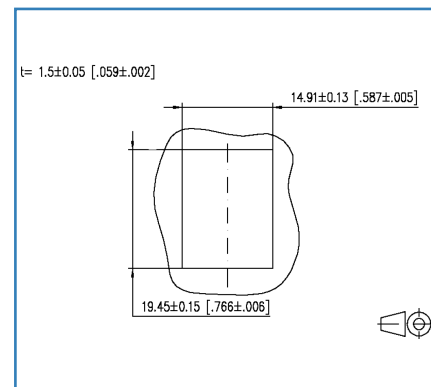
Illustrations



Dimensional drawing



Cut-out



See enlarged drawings at the end of document

Product specification

- 19 inch 1.5RU stainless steel module frame for 48 individual modules; Keystone design
- optional strain relief on patch panel using cable ties
- grounding bolt M6 x 10 with nut and lock washer
- incl. 30 cm grounding cable
- all fully shielded Keystone modules are connected by means of the stainless steel module frame

Data sheet

Page 2/5

Keystone 19 inch module frame 1.5RU 48 port stainless steel unequipped

P/N

130A24-00-E

EAN 4250184141532

2017-21-08

Technical Data

General Data

Fields of application	Office
Design	patch panel
Color	stainless steel
Dimensions	
Dimension (L x W x H)	92.50 x 482.60 x 65.80 mm
Dimension (L x W x H)	3.642 x 19.00 x 2.591 in.
Inches	19 inches
Height unit	1.5RU
Labeling option	printed numbers

Connections/interfaces

Number of ports interface 1	48
Number of equipped ports interface 1	0
Number of ports interface 2	48
Number of ports interface 2 equipped	0
Grounding wire length	0.30 m
Grounding wire length	0.98 ft
Ground connection	grounding bolt M6x10 with nut and lock washer

Mechanical characteristics

Cut-out	Keystone
strain relief	yes

Materials and material properties

Material - Module support	stainless steel
---------------------------	-----------------

Environmental conditions

Temperature (min. - max.)	
Temperature - Storage °C	-40 - 70 °C
Temperature - Storage °F	-40 - 158 °F
Temperature - Operating °C	-40 - 70 °C
Temperature - Operating °F	-40 - 158 °F



Data sheet

Page 3/5

Keystone 19 inch module frame 1.5RU 48 port stainless steel unequipped

P/N

130A24-00-E

EAN 4250184141532

2017-21-08

Technical Data

Approvals

RoHS	compliant
------	-----------

Classifications

ETIM 5.0	EC001128
ETIM 6.0	EC001128

Packing details

Type of packaging	1 pc(s) / box
Packaging unit - Weight (gram)	780.00 g
Packaging unit - Weight (pound)	1.72 lb
Packaging dimension (W x H x D)	520.00 x 180.00 x 46.00 mm
Packaging dimension (W x H x D)	20.472 x 7.087 x 1.811 in.



Data sheet

Page 4/5

Keystone 19 inch module frame 1.5RU 48 port stainless steel unequipped

P/N

130A24-00-E

EAN 4250184141532

2017-21-08

Accessories

P/N	Designation
130792	Mounting kit, cage nuts M6



Data sheet

Page 5/5

Keystone 19 inch module frame 1.5RU 48 port stainless steel unequipped

P/N

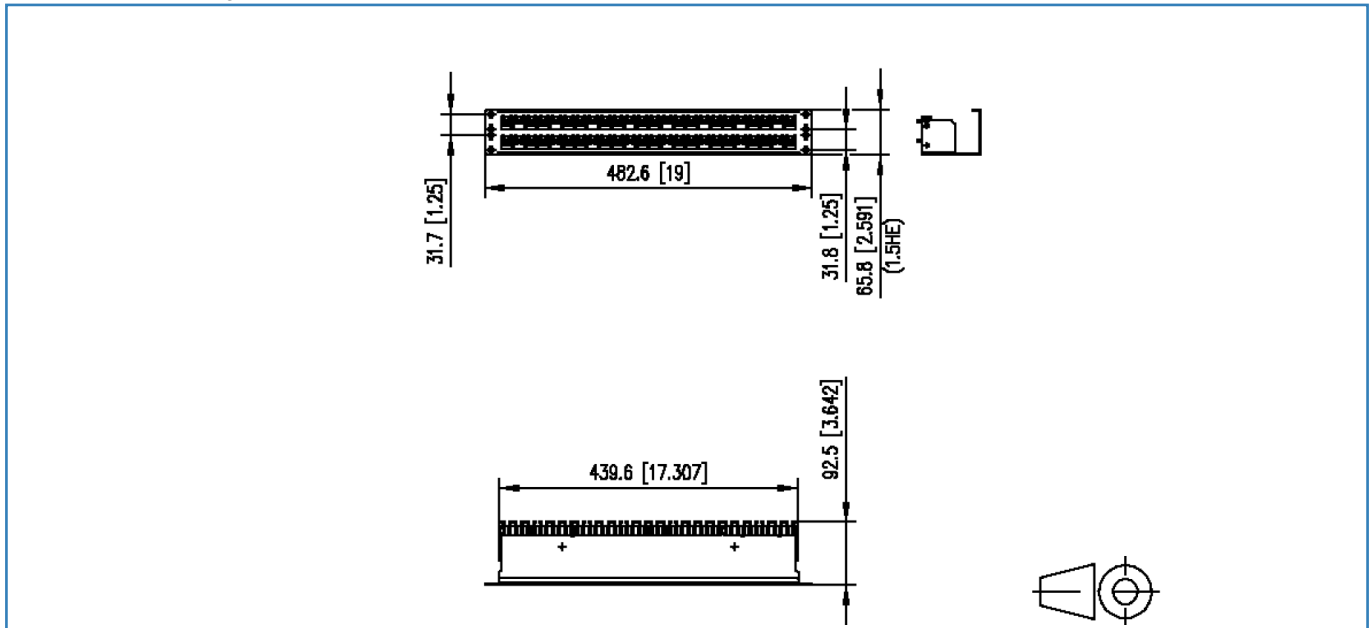
130A24-00-E

EAN 4250184141532

2017-21-08

Illustrations

Dimensional drawing



Cut-out

