

Data sheet

C6_Amodul 2 port 180°M UP pure white

Page 1/7

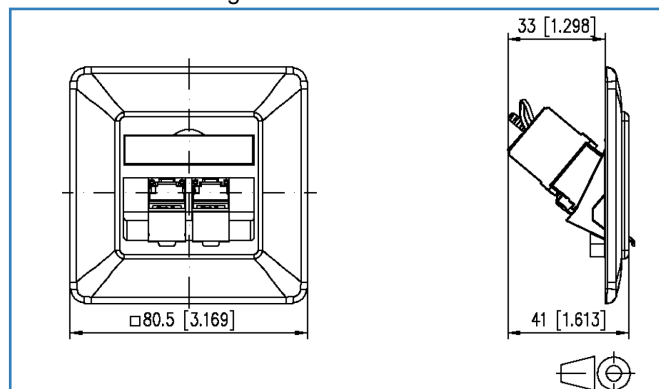
P/N
130B11D21002-E
EAN 4250184131663

2017-07-03

Illustrations



Dimensional drawing



See enlarged drawings at the end of document



Product specification

- flush-mounted termination unit with C6_Amodul 180°
 - certified to GHMT Cat.6_A re-embedded PVP
 - component testing for Cat.6_A to ISO/IEC 11801 Ed.2.2:2011-06, DIN EN 50173-1:2011-09, TIA/EIA-568-C.2 (2009-08) and IEC 60603-7-51 Ed.1 (12/2008), certified to GHMT
 - compliance with class E_A up to 500 MHz to ISO/IEC 11801 Ed.2.2:2011-06, DIN EN 50173-1:2011-09
 - tested: components up to 600 MHz, link up to 800 MHz
 - suitable for 10 GBit Ethernet (IEEE 802.3an), Remote Powering (PoE, PoE plus and UPoE) and HDBaseT
 - connection of data lines AWG 26/1 to 22/1 (solid wire) and AWG 26/7 to 22/7 (stranded wire) to insulation displacement connectors (IDC)
 - module plug direction 45° downwards
 - strain relief snapped on to stuffer cap
 - with label window for enclosed identification labels
 - label sheet 209 x 294 mm see accessory
 - integrated dust protection covers (also colored)
 - cover parts in pure white RAL 9010, structured surface with matt finish
 - compatible with "design" central units of switch lines (note: 3 port central units at present only available from JUNG)
 - not suitable for mounting in standard flush-mounted or cavity wall casings!
- variants: 1 port, 2 ports, 3 ports

Technical Data

General Data

Fields of application	
Design	Wall outlet
Shielding	shielded
Transmission technology	Copper
Wiring	T568A, T568B
Color	pure white
Dimensions	
Dimension (L x W x H)	41.00 x 80.50 x 80.50 mm
Dimension (L x W x H)	1.614 x 3.169 x 3.169 in.
Modularity	yes
Labeling option	label window with identification label
Marking option	by dust protection

Transmission characteristics

Category (ISO)	6 _A
Class (ISO/IEC)	E _A
Category (TIA)	6A
Remote Powering	yes
PoE	IEEE 802.3af
PoE plus	IEEE 802.3at
UPoE	yes
HDBaseT	yes
Transmission rate up to 10 GBit	IEEE 802.3an

Connections/interfaces

Connector technology interface 1	IDC-connection
Connector technology interface 2	RJ45-jack
Number of ports interface 2	2
Number of ports interface 2 equipped	2
Number of positions/contacts interface 1	2 x 8
Number of positions/contacts interface 2	2 x 8P/8C
Number of ports with dust protection interface 2	2



Technical Data

Connections/interfaces

Termination data, solid wire (min. - max.)

Conductor cross section, solid wire	AWG 26/1 - 22/1
Conductor cross section, solid wire	0.128 - 0.324 mm ²
Conductor diameter, solid wire (bare copper)	0.409 - 0.643 mm
Conductor diameter, solid wire (bare copper)	0.016 - 0.025 in.

Termination data, stranded wire (min. - max.)

Conductor cross section, stranded wire	AWG 26/7 - 22/7
Conductor cross section, stranded wire	0.141 - 0.355 mm ²
Conductor diameter, stranded wire (bare copper)	0.483 - 0.762 mm
Conductor diameter, stranded wire (bare copper)	0.019 - 0.030 in.

Module plug-in direction	45° downwards
Cable access/outlet	180°

Electrical characteristics

Current carrying capacity	max. 1 A
Rated voltage	max. 50 V
Contact resistance	max. 20 mOhm
Through resistance	max. 200 mOhm
Insulation resistance	min. 500 MOhm
Dielectric strength conductor-conductor (secondary)	max. 1000 V DC

Mechanical characteristics

Cut-out	Modul
Insertion and withdrawal force	max. 30 N
Position/mounting of latch - standard installation position	top
Strain relief	latching clip

Materials and material properties

Material - Housing	GD-Zn (zinc die-cast)
Material - Cover part(s)	ABS
Material - Supporting frame	GD-Zn (zinc die-cast)
Material - Module support	GD-Zn (zinc die-cast)
Material - Label window	ABS, transparent
Material - Dust protection	ABS



Technical Data


Materials and material properties

Material - Contact	Spring steel
Material - Contact finish	Au (gold)
Material - Shield	GD-Zn (zinc die-cast)
Material - Stuffer cap	PA 6.6 UL94 V0
Material - Finish	Ni (nickel)
Material - Strain relief	PA 6.6 UL94 V0

Environmental conditions

Temperature (min. - max.)	
Temperature - Storage °C	-40 - 70 °C
Temperature - Storage °F	-40 - 158 °F
Temperature - Operating °C	-40 - 70 °C
Temperature - Operating °F	-40 - 158 °F
Particulate ingress	IP2X
Liquid ingress/immersion	IPX0
Rapid change of temperature	-40°C / -40°F - +70°C / 158°F / 25 cycles t=30 min
Electromagnetic measurement	E ₂

Certifications

GHMT Component	yes
GHMT PVP	
CE	compliant
RoHS	compliant

The product meets the following standards

Generic cabling systems	
General requirements	ISO/IEC 11801 Ed.2.2: 2011-06 DIN EN 50173-1: 2011-09 TIA/EIA 568-C
Office buildings	ISO/IEC 11801 Ed.2.2: 2011-06 DIN EN 50173-2: 2011-09 TIA/EIA 568-C
Living units	ISO/IEC 15018 DIN EN 50173-4: 2011-09 TIA/EIA 570-B



Technical Data

The product meets the following standards

Connectors for electronic equipment

Free and fixed connectors	DIN EN 60603-7-51:2011-01
---------------------------	---------------------------

Connectors for electronic equipment - Tests and measurements

Test schedule for connectors	DIN-EN 60512-99-001: 02-2013, Pg. UEL1
------------------------------	--

Endurance tests	IEC 60512-9-3: 03-2009
-----------------	------------------------

Degrees of Protection Provided by Enclosures	IEC 60529
--	-----------

Interference proof

Immunity for industrial environments	DIN EN 61000-6-2:2006-03
--------------------------------------	--------------------------

Climate tests	IEC 60512-11
---------------	--------------

Cover plates for installation devices 1	DIN 49075-1:1989-10
---	---------------------

Cover plates for installation devices 2	DIN 49075-2:1989-10
---	---------------------

Classifications

ETIM 5.0	EC001264
----------	----------

ETIM 6.0	EC001264
----------	----------

Packing details

Type of packaging	10 pc(s) / box
-------------------	----------------

Packaging unit - Weight (gram)	1265.00 g
--------------------------------	-----------

Packaging unit - Weight (pound)	2.79 lb
---------------------------------	---------

Packaging dimension (W x H x D)	235.00 x 165.00 x 135.00 mm
---------------------------------	-----------------------------

Packaging dimension (W x H x D)	9.252 x 6.496 x 5.315 in.
---------------------------------	---------------------------

Accessories

P/N	Designation
1308895010-I	Montagehalter für Anschlussdosen T-Nut-Befestigung - Einbau waagrecht
1308895011-I	Montagehalter für Anschlussdosen T-Nut-Befestigung - Einbau waagrecht
1308895020-I	Montagehalter für Anschlussdosen Tragschienenbefestigung - Einbau waagrecht
1308895021-I	Montagehalter für Anschlussdosen Tragschienenbefestigung - Einbau waagrecht
1308895040-I	Montagehalter für Anschlussdosen T-Nut-Befestigung - Einbau senkrecht
1308895041-I	Montagehalter für Anschlussdosen T-Nut-Befestigung - Einbau senkrecht
1308895220-I	Montagehalter für Anschlussdosen Tragschienenbefestigung - Einbau waagrecht
1308895221-I	Montagehalter für Anschlussdosen Tragschienenbefestigung - Einbau waagrecht
1308895510-I	Montagehalter für Anschlussdosen T-Nut-Befestigung - Einbau waagrecht
1308895511-I	Montagehalter für Anschlussdosen T-Nut-Befestigung - Einbau waagrecht
1308895520-I	Montagehalter für Anschlussdosen Tragschienenbefestigung - Einbau waagrecht
1308895521-I	Montagehalter für Anschlussdosen Tragschienenbefestigung - Einbau waagrecht
1308895540-I	Montagehalter für Anschlussdosen T-Nut-Befestigung - Einbau senkrecht
1308895541-I	Montagehalter für Anschlussdosen T-Nut-Befestigung - Einbau senkrecht
899650-01	Label sheet for wall outlets
820395-0102-I	Cover plates for E-DAT modul wall outlets
820394-0105-I	Dust protection covers for wall outlets yellow
820394-0106-I	Dust protection covers for wall outlets blue
820394-0107-I	Dust protection covers for wall outlets green
820394-0108-I	Dust protection covers for wall outlets red
130889FKH-I	Mounting bracket FR for Kleinhuis
130889FNI-I	Mounting bracket FR for Niedax
130889FTE-I	Mounting bracket FR for Tehalit
130889ADTK-I	Mounting bracket ADTK for OBO
130889ADTSA-I	Mounting bracket ADTSA for OBO
130829-4302-I	Surface mount frame 43x85x85 pure white

Illustrations

Dimensional drawing

