

## Data sheet

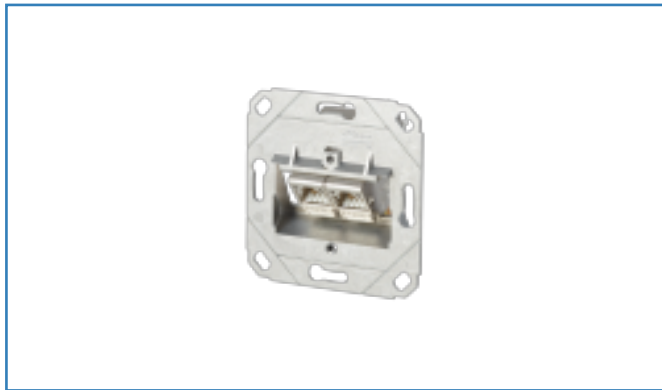
### C6<sub>A</sub>modul 2 port 180°M UP0

Page 1/8

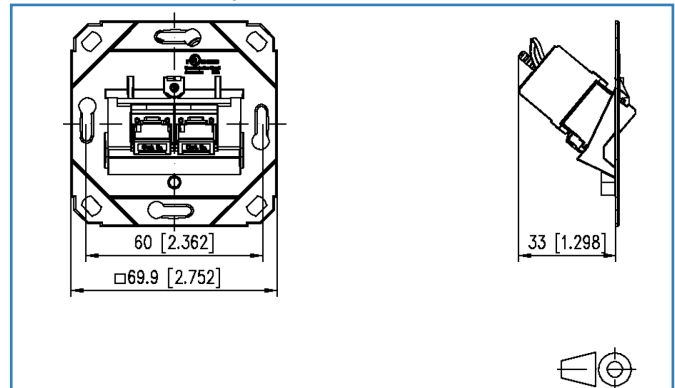
P/N  
130B11D21200-E  
EAN 4250184131687

2018-02-02

## Illustrations



Dimensional drawing



See enlarged drawings at the end of document



## Product specification

- termination unit with C6<sub>A</sub>modul 180°
  - certified to GHMT Cat.6<sub>A</sub> re-embedded PVP
  - component testing for Cat.6<sub>A</sub> to ISO/IEC 11801 Ed.2.2:2011-06, DIN EN 50173-1:2011-09, TIA/EIA-568-C.2 (2009-08) and IEC 60603-7-51 Ed.1 (12/2008), certified to GHMT
  - compliance with class E<sub>A</sub> up to 500 MHz to ISO/IEC 11801 Ed.2.2:2011-06, DIN EN 50173-1:2011-09
  - tested: components up to 600 MHz, link up to 800 MHz
  - suitable for 10 GBit Ethernet (IEEE 802.3an), Remote Powering (PoE, PoE plus, UPoE and 4PPoE) and HDBaseT
  - connection of data lines AWG 26/1 to 22/1 (solid wire) and AWG 26/7 to 22/7 (stranded wire) to insulation displacement connectors (IDC)
  - migration to 25G-systems without special tools
  - module plug direction 45° downwards
  - strain relief snapped on to stuffer cap
  - compatible with "design" central units of switch lines (note: 3 port central units at present only available from JUNG)
  - not suitable for mounting in standard flush-mounted or cavity wall casings!
- variants: 1 port, 2 ports, 3 ports



### Technical Data

#### General Data

Fields of application	Office
Design	Wall outlet
Mounting style	UP0
Shielding	shielded
Transmission technology	Copper
Wiring	T568A, T568B
Color	metallike
Dimensions	
Dimension (L x W x H)	33.00 x 69.90 x 69.90 mm
Dimension (L x W x H)	1.299 x 2.752 x 2.752 in.
Modularity	yes

#### Transmission characteristics

Category (ISO)	6 <sub>A</sub>
Class (ISO/IEC)	E <sub>A</sub>
Category (TIA)	6A
Remote Powering	yes
PoE	IEEE 802.3af
PoE plus	IEEE 802.3at
UPoE	yes
HDBaseT	yes
Transmission rate up to 10 GBit (Gigabit-Ethernet)	IEEE 802.3an

#### Connections/interfaces

Connector technology interface 1	IDC-connection
Connector technology interface 2	RJ45-jack
Number of ports interface 2	2
Number of ports interface 2 equipped	2
Number of positions/contacts interface 1	2 x 8
Number of positions/contacts interface 2	2 x 8P/8C



### Technical Data

#### Connections/interfaces

Termination data, solid wire (min. - max.)

Conductor cross section, solid wire	AWG 26/1 - 22/1
Conductor cross section, solid wire	0.128 - 0.324 mm <sup>2</sup>
Conductor diameter, solid wire (bare copper)	0.409 - 0.643 mm
Conductor diameter, solid wire (bare copper)	0.016 - 0.025 in.

Termination data, stranded wire (min. - max.)

Conductor cross section, stranded wire	AWG 26/7 - 22/7
Conductor cross section, stranded wire	0.141 - 0.355 mm <sup>2</sup>
Conductor diameter, stranded wire (bare copper)	0.483 - 0.762 mm
Conductor diameter, stranded wire (bare copper)	0.019 - 0.030 in.

Module plug-in direction	45° downwards
Cable access/outlet	180°

#### Electrical characteristics

Current carrying capacity	max. 1 A
Rated voltage	max. 50 V
Contact resistance	max. 20 mOhm
Through resistance	max. 200 mOhm
Insulation resistance	min. 500 MOhm
Dielectric strength conductor-conductor (secondary)	max. 1000 V DC

#### Mechanical characteristics

Cut-out	Modul
Insertion and withdrawal force	max. 30 N
Position/mounting of latch - standard installation position	top
strain relief	latching clip

#### Materials and material properties

Material - Housing	GD-Zn (zinc die-cast)
Material - Supporting frame	GD-Zn (zinc die-cast)
Material - Contact	Spring steel
Material - Contact finish	Au (gold)
Material - Shield	GD-Zn (zinc die-cast)
Material - Stuffer cap	PA 6.6 UL94 V0



### Technical Data


#### Materials and material properties

Material - Finish	Ni (nickel)
Material - Strain relief	PA 6.6 UL94 V0

#### Environmental conditions

Temperature (min. - max.)	
Temperature - Storage °C	-40 - 70 °C
Temperature - Storage °F	-40 - 158 °F
Temperature - Operating °C	-40 - 70 °C
Temperature - Operating °F	-40 - 158 °F
Particulate ingress	IP2X
Liquid ingress/immersion	IPX0
Rapid change of temperature	-40°C / -40°F - +70°C / 158°F / 25 cycles t=30 min
Electromagnetic measurement	E <sub>2</sub>

#### Certifications

GHMT Component	yes
GHMT PVP	

CE	compliant
RoHS	compliant

#### The product meets the following standards

Generic cabling systems	
General requirements	ISO/IEC 11801 Ed.2.2:2011-06   DIN EN 50173-1:2011-09 TIA/EIA 568-C
Office buildings	ISO/IEC 11801 Ed.2.2:2011-06   DIN EN 50173-2: 2011-09 TIA/EIA 568-C
Living units	ISO/IEC 15018   DIN EN 50173-4: 2011-09 TIA/EIA 570-B
Connectors for electronic equipment	
Free and fixed connectors	DIN EN 60603-7-51:2011-01
Connectors for electronic equipment - Tests and measurements	
Test standard for connectors (plugging and removing connectors under electrical load)	DIN-EN 60512-99-001: 02-2013, DIN-EN 60512-99-002: 11-2015
Endurance tests	IEC 60512-9-3: 03-2009
Degrees of Protection Provided by Enclosures	IEC 60529



### Technical Data

#### The product meets the following standards

##### Interference proof

Immunity for industrial environments	DIN EN 61000-6-2:2006-03
--------------------------------------	--------------------------

#### Classifications

ETIM 5.0	EC001264
ETIM 6.0	EC001264

#### Packing details

Type of packaging	10 pc(s) / box
Packaging unit - Weight (gram)	1090.00 g
Packaging unit - Weight (pound)	2.40 lb
Packaging dimension (W x H x D)	235.00 x 165.00 x 135.00 mm
Packaging dimension (W x H x D)	9.252 x 6.496 x 5.315 in.



### Accessories

P/N	Designation
1308895010-I	Montagehalter für Anschlussdosen T-Nut-Befestigung - Einbau waagrecht 50 mm, ohne Trennschale
1308895011-I	Montagehalter für Anschlussdosen T-Nut-Befestigung - Einbau waagrecht 50 mm, mit Trennschale
1308895020-I	Montagehalter für Anschlussdosen Tragschienenbefestigung - Einbau waagrecht 50 mm, ohne Trennschale
1308895021-I	Montagehalter für Anschlussdosen Tragschienenbefestigung - Einbau waagrecht 50 mm, mit Trennschale
1308895040-I	Montagehalter für Anschlussdosen T-Nut-Befestigung - Einbau senkrecht 50 mm, ohne Trennschale
1308895041-I	Montagehalter für Anschlussdosen T-Nut-Befestigung - Einbau senkrecht 50 mm, mit Trennschale
1308895220-I	Montagehalter für Anschlussdosen Tragschienenbefestigung - Einbau waagrecht 52 mm, ohne Trennschale
1308895221-I	Montagehalter für Anschlussdosen Tragschienenbefestigung - Einbau waagrecht 52 mm, mit Trennschale
1308895510-I	Montagehalter für Anschlussdosen T-Nut-Befestigung - Einbau waagrecht 55 mm, ohne Trennschale
1308895511-I	Montagehalter für Anschlussdosen T-Nut-Befestigung - Einbau waagrecht 55 mm, mit Trennschale
1308895520-I	Montagehalter für Anschlussdosen Tragschienenbefestigung - Einbau waagrecht 55 mm, ohne Trennschale
1308895521-I	Montagehalter für Anschlussdosen Tragschienenbefestigung - Einbau waagrecht 55 mm, mit Trennschale
1308895540-I	Montagehalter für Anschlussdosen T-Nut-Befestigung - Einbau senkrecht 55 mm, ohne Trennschale
1308895541-I	Montagehalter für Anschlussdosen T-Nut-Befestigung - Einbau senkrecht 55 mm, mit Trennschale
820395-0101-I	Abdeckplatte für E-DAT modul und E-DAT design (matt) Anschlussdosen, perlweiß



## Accessories

820395-0102-I	Abdeckplatte für E-DAT modul und E-DAT design (matt) Anschlussdosen, reinweiß
130889FKH-I	Mounting bracket FR for Kleinhuis
130889FNI-I	Mounting bracket FR for Niedax
130889FTE-I	Mounting bracket FR for Tehalit
130889ADTK-I	Mounting bracket ADTK for OBO
130889ADTSA-I	Mounting bracket ADTSA for OBO
130829-4301-I	Surface mount frame 43x85x85 pearl white
130829-4302-I	Surface mount frame 43x85x85 pure white



Data sheet

**C6<sub>A</sub>modul 2 port 180°M UP0**

Page 8/8

P/N

130B11D21200-E

EAN 4250184131687

2018-02-02

**Illustrations**

Dimensional drawing

