

Data sheet

C6_Amodul K 270° jack - Keystone style

Page 1/7

P/N
130B22-E

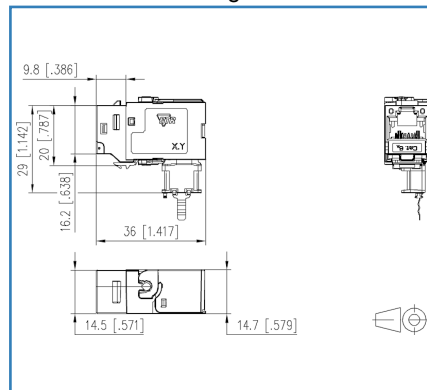
EAN 4250184133476

2017-19-12

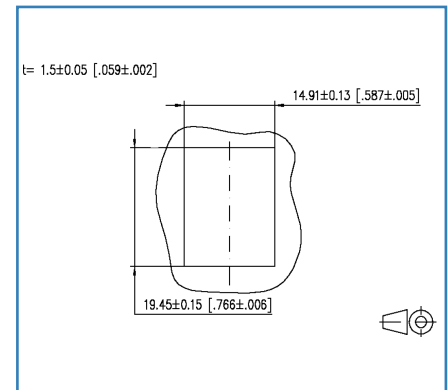
Illustrations



Dimensional drawing



Cut-out



See enlarged drawings at the end of document



Product specification

- modular Cat.6_A termination unit RJ45
- mounting version: Keystone, 270° cable feed
- solid, one-piece and reusable module housing refined with zinc die-casting
- mounting without special tools; strain relief directly snapped on to stuffer cap
- easy to install connection of data lines AWG 26/1 to 22/1 (solid wire) and AWG 26/7 to 22/7 (stranded wire) to insulation displacement connectors (IDC)
- intelligent cable management in stuffer cap - also suitable for heavily twisted cables
- conductor assignment to T568A and T568B is directly printed on the stuffer cap
- certified to GHMT Cat.6_A re-embedded PVP
- component testing for Cat.6_A to ISO/IEC 11801 Ed.2.2:2011-06, DIN EN 50173-1:2011-09, TIA/EIA-568-C.2 (2009-08) and IEC 60603-7-51 Ed.1 (12/2008), certified to GHMT
- compliance with class E_A up to 500 MHz to ISO/IEC 11801 Ed.2.2:2011-06, DIN EN 50173-1:2011-09
- tested: component up to 600 MHz, link up to 800 MHz
- suitable for 10 GBit Ethernet (IEEE 802.3an), Remote Powering (PoE, PoE plus and UPoE) and HDBaseT

Technical Data

General Data

Fields of application	Office
Design	Jack
Shielding	shielded
Transmission technology	Copper
Wiring	T568A, T568B
Color	metallike
Dimensions	
Dimension (L x W x H)	36.00 x 14.7 x 29.00 mm
Dimension (L x W x H)	1.417 x 0.579 x 1.142 in.
Modularity	yes
Field assembly ability	yes
Labeling option	on housing
Marking option	by latching clip

Transmission characteristics

Category (ISO)	6 _A
Class (ISO/IEC)	E _A
Category (TIA)	6A
Remote Powering	yes
PoE	IEEE 802.3af
PoE plus	IEEE 802.3at
UPoE	yes
HDBaseT	yes
Transmission rate up to 10 GBit	IEEE 802.3an

Connections/interfaces

Connector technology interface 1	IDC-connection
Connector technology interface 2	RJ45-jack
Number of ports interface 2	1
Number of ports interface 2 equipped	1
Number of positions/contacts interface 1	8
Number of positions/contacts interface 2	8P/8C



Technical Data

Connections/interfaces

Termination data, solid wire (min. - max.)

Conductor cross section, solid wire	AWG 26/1 - 22/1
Conductor cross section, solid wire	0.128 - 0.324 mm ²
Conductor diameter, solid wire (bare copper)	0.409 - 0.643 mm
Conductor diameter, solid wire (bare copper)	0.016 - 0.025 in.

Termination data, stranded wire (min. - max.)

Conductor cross section, stranded wire	AWG 26/7 - 22/7
Conductor cross section, stranded wire	0.141 - 0.355 mm ²
Conductor diameter, stranded wire (bare copper)	0.483 - 0.762 mm
Conductor diameter, stranded wire (bare copper)	0.019 - 0.030 in.

Cable access/outlet 270°

Electrical characteristics

Current carrying capacity	max. 1 A
Rated voltage	max. 50 V
Contact resistance	max. 20 mOhm
Through resistance	max. 200 mOhm
Insulation resistance	min. 500 MOhm
Dielectric strength conductor-conductor (secondary)	max. 1000 V DC

Mechanical characteristics

Cut-out	Keystone
Mounting method	snap-in function
Insertion and withdrawal force	max. 30 N
Position/mounting of latch - standard installation position	bottom
strain relief	latching clip

Materials and material properties

Material - Housing	GD-Zn (zinc die-cast)
Material - Contact	Spring steel
Material - Contact finish	Au (gold)
Material - Shield	GD-Zn (zinc die-cast)
Material - Stuffer cap	PA 6.6 UL94 V0
Material - Strain relief	PA 6.6 UL94 V0



Technical Data

Materials and material properties

Material - Finish Ni (nickel)

Environmental conditions

Rapid change of temperature -40°C / -40°F - +70°C / 158°F / 25 cycles t=30 min

Electromagnetic measurement E₂

Certifications

GHMT PVP



GHMT PVP - Period of validity 28.02.2017

Approvals

RoHS compliant

UL listed (file no.)



The product meets the following standards

Generic cabling systems

General requirements ISO/IEC 11801 Ed.2.2:2011-06 | DIN EN 50173-1:2011-09
TIA/EIA 568-C

Office buildings ISO/IEC 11801 Ed.2.2: 2011-06 | DIN EN 50173-2: 2011-09
TIA/EIA 568-C

Living units ISO/IEC 15018 | DIN EN 50173-4: 2011-09
TIA/EIA 570-B

Connectors for electronic equipment

Free and fixed connectors DIN EN 60603-7-51:2011-01

Connectors for electronic equipment - Tests and measurements

Test schedule for connectors DIN-EN 60512-99-001: 02-2013, Pg. UEL1

Endurance tests IEC 60512-9-3: 03-2009



Technical Data

The product meets the following standards

Interference proof

Immunity for industrial environments	DIN EN 61000-6-2:2006-03
--------------------------------------	--------------------------

Emission proof

Electromagnetic emission for residential, commercial and light-industrial environments	DIN EN 61000-6-3:2011-09
--	--------------------------

Climate tests

IEC 60512-11

Classifications

ETIM 5.0	EC001121
----------	----------

ETIM 6.0	EC001121
----------	----------

Packing details

Type of packaging	10 pc(s) / box
-------------------	----------------

Packaging unit - Weight (gram)	420.00 g
--------------------------------	----------

Packaging unit - Weight (pound)	0.93 lb
---------------------------------	---------

Packaging dimension (W x H x D)	247.00 x 161.00 x 58.00 mm
---------------------------------	----------------------------

Packaging dimension (W x H x D)	9.724 x 6.339 x 2.283 in.
---------------------------------	---------------------------



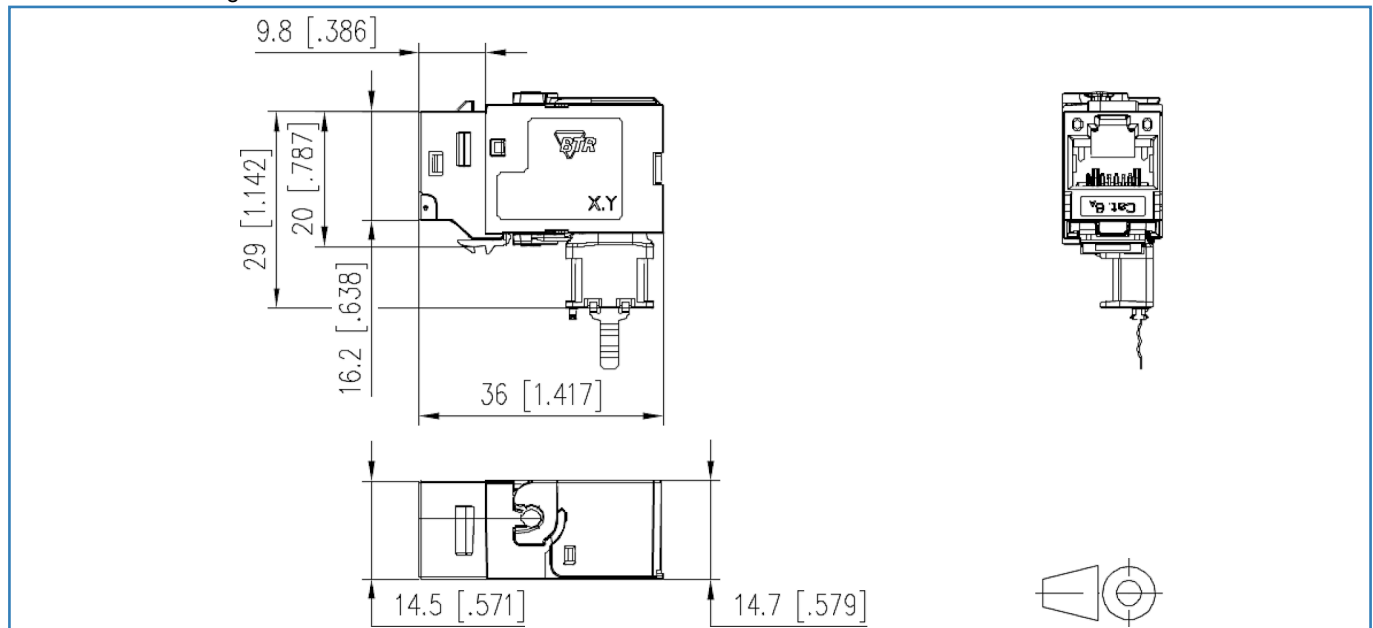
Accessories

P/N	Designation
820032-0129-I	Dust protection cover for C6 _A modul black
820032-0103-I	Dust protection cover for C6 _A modul light gray
820032-0105-I	Dust protection cover for C6 _A modul yellow
820032-0106-I	Dust protection cover for C6 _A modul blue
820032-0107-I	Dust protection cover for C6 _A modul green
820032-0108-I	Dust protection cover for C6 _A modul red
820032-0102-I	Dust protection cover for C6 _A modul pure white



Illustrations

Dimensional drawing



Cut-out

