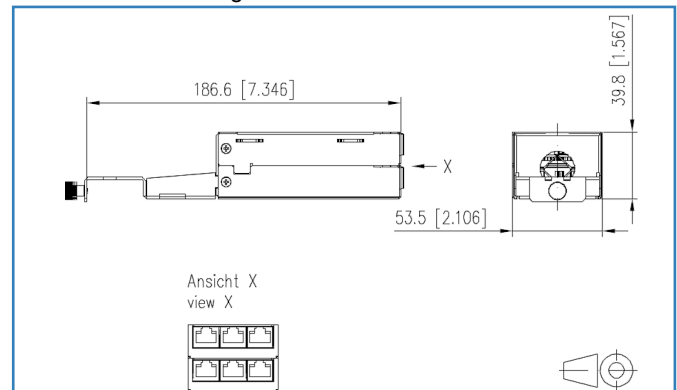


Illustrations



Dimensional drawing



See enlarged drawings at the end of document

Product specification

- DCCS2 class E_A Permanent Link consisting of two 6-port RJ45 subassemblies connected to a 24-pair installation cable AWG26/1
- component testing for Cat.6_A to ISO/IEC 11801 Ed.2.2:2011-06, DIN EN 50173-1:2011-09, TIA/EIA-568-C.2 (2009-08) and IEC 60603-7-51 Ed.1 (12/2008), certified by GHMT
- compliance with class E_A up to 500 MHz to ISO/IEC 11801 Ed.2.2:2011-06, DIN EN 50173-1:2011-09, certified by GHMT
- tested: components up to 600 MHz, link up to 800 MHz
- suitable for 10 GBit Ethernet (IEEE 802.3an), Remote Powering (PoE, PoE plus and UPoE) and HDBaseT with reduced temperature range
- Alien Next optimized, shielded jacks
- the locking levers of patch cords connected to DCCS2 subassemblies show upwards and are easy to handle at any time
- solid and refined assembly housing
- shield tap for installation cable separate from strain relief
- cable diameter less than 14 mm
- short links with less than 5 m are also available
- delivery with serial number and 6 Permanent Link measurement reports
- mounting version: DCCS2
- available in prefabricated, customer specific lengths - replace the xxx in the part number by the length - examples: 050 = 5.0 m; 100 = 10.0 m; 200 = 20.0 m; 500 = 50.0 m
- maximum length 50 m



Technical Data

General Data

Fields of application	Data center
Design	Subassembly
Mounting style	DCCS
Shielding	shielded
Transmission technology	Copper
Cable Type	S/FTP
Number of twisting elements	24
Twisting element	Pair
Wiring	T568A
Color	metallike
Dimensions	
Dimension (L x W x H)	186.60 x 53.50 x 39.80 mm
Dimension (L x W x H)	7.346 x 2.106 x 1.567 in.
Maximum length	50.00 m
Maximum length	164.04 ft

Transmission characteristics

Category (ISO)	6 _A
Class (ISO/IEC)	E _A
Remote Powering	yes
PoE	IEEE 802.3af
PoE plus	IEEE 802.3at
UPoE	yes
HDBaseT	yes
Transmission rate up to 1 GBit (Fast Ethernet)	IEEE 802.3ab

Connections/interfaces

Connector technology interface 1	LSA terminal block
Connector technology interface 2	RJ45-jack
Number of ports interface 2	6
Number of ports interface 2 equipped	6
Number of positions/contacts interface 2	8P/8C

Technical Data

Connections/interfaces

Termination data, solid wire (min. - max.)

Conductor cross section, solid wire	AWG 26/1 - 22/1
Conductor cross section, solid wire	0.128 - 0.324 mm ²
Conductor diameter, solid wire (bare copper)	0.409 - 0.643 mm
Conductor diameter, solid wire (bare copper)	0.016 - 0.025 in.
Core diameter (min. - max.)	
Core diameter (conductor with insulation)	0.4 - 0.63 mm
Core diameter (conductor with insulation)	0.016 - 0.025 in.
Cable sheath diameter (min. - max.)	
Cable sheath diameter	13.2 mm
Cable sheath diameter	0.52 in.

Mechanical characteristics

strain relief	cable tie
Bending radius without load	55 mm
Bending radius without load	2.165 in.
Bending radius with load	110 mm
Bending radius with load	4.331 in.

Materials and material properties

Material - Assembly housing	sheet steel
Material - Assembly housing finish	Zn (zinc)
Flame retardancy	yes

Approvals

RoHS	compliant
------	-----------

The product meets the following standards

Generic cabling systems	
General requirements	ISO/IEC 11801 Ed.2.2: 2011-06 DIN EN 50173-1: 2011-09 TIA/EIA 568-C.2 (2009-08)
Connectors for electronic equipment	
Free and fixed connectors	IEC 60603-7-51 Ed.1 (12/2008)
Test for vertical flame propagation for a single insulated wire or cable	IEC 60332-3-24



Technical Data

Packing details

Type of packaging	1 Ring or drum
-------------------	----------------



Accessories

P/N	Designation
130D2B1B-E	DCCS2 BGT 19 inch 1RU subrack black
130D2B1G-E	DCCS2 BGT 19 inch 1RU subrack light gray

Illustrations

Dimensional drawing

