

Data sheet

DCCS2 C6_A PL23

Page 1/6

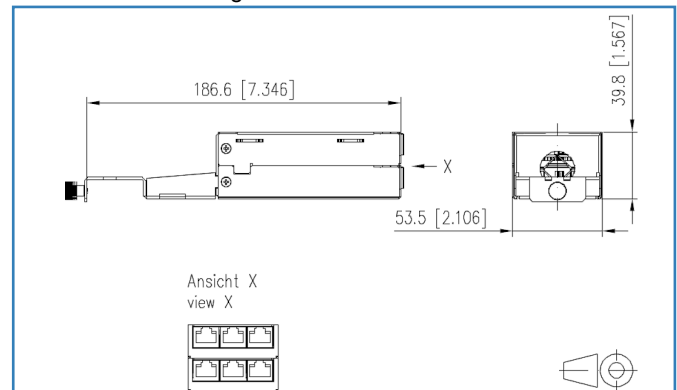
P/N
130D2CL2XXXE

2017-31-05

Illustrations



Dimensional drawing



See enlarged drawings at the end of document

Product specification

- DCCS2 class E_A Permanent Link consisting of two 6-port RJ45 subassemblies connected to a 24-pair installation cable AWG23/1
- component testing for Cat.6_A to ISO/IEC 11801 Ed.2.2:2011-06, DIN EN 50173-1:2011-09, TIA/EIA-568-C.2 (2009-08) and IEC 60603-7-51 Ed.1 (12/2008), certified by GHMT
- compliance with class E_A up to 500 MHz to ISO/IEC 11801 Ed.2.2:2011-06, DIN EN 50173-1:2011-09, certified by GHMT
- tested: components up to 600 MHz, link up to 800 MHz
- suitable for 10 GBit Ethernet (IEEE 802.3an), Remote Powering (PoE, PoE plus and UPoE) and HDBaseT
- Alien Next optimized, shielded jacks
- the locking levers of patch cords connected to DCCS2 subassemblies show upwards and are easy to handle at any time
- solid and refined assembly housing
- shield tap for installation cable separate from strain relief
- cable diameter less than 19 mm
- short links with less than 5 m are also available
- delivery with serial number and 6 Permanent Link measurement reports
- mounting version: DCCS2
- available in prefabricated, customer specific lengths - replace the xxx in the part number by the length - examples: 050 = 5.0 m; 100 = 10.0 m; 200 = 20.0 m; 800 = 80.0 m
- maximum length 80 m

Technical Data

General Data

Fields of application	Data center
Design	Subassembly
Mounting style	DCCS
Shielding	shielded
Transmission technology	Copper
Cable Type	S/FTP
Number of twisting elements	24
Twisting element	Pair
Wiring	T568A
Color	metallike
Dimensions	
Dimension (L x W x H)	186.60 x 53.50 x 39.80 mm
Dimension (L x W x H)	7.346 x 2.106 x 1.567 in.
Maximum length	80.00 m
Maximum length	262.46 ft

Transmission characteristics

Category (ISO)	6 _A
Class (ISO/IEC)	E _A
Remote Powering	yes
PoE	IEEE 802.3af
PoE plus	IEEE 802.3at
UPoE	yes
HDBaseT	yes
Transmission rate up to 1 GBit (Fast Ethernet)	IEEE 802.3ab

Connections/interfaces

Connector technology interface 1	LSA terminal block
Connector technology interface 2	RJ45-jack
Number of ports interface 2	6
Number of ports interface 2 equipped	6
Number of positions/contacts interface 2	8P/8C

Technical Data

Connections/interfaces

Termination data, solid wire (min. - max.)

Conductor cross section, solid wire	AWG 23/1
-------------------------------------	----------

Core diameter (min. - max.)

Core diameter (conductor with insulation)	0.4 - 0.63 mm
---	---------------

Core diameter (conductor with insulation)	0.016 - 0.025 in.
---	-------------------

Cable sheath diameter (min. - max.)

Cable sheath diameter	13.2 mm
-----------------------	---------

Cable sheath diameter	0.52 in.
-----------------------	----------

Mechanical characteristics

strain relief	cable tie
---------------	-----------

Bending radius without load	55 mm
-----------------------------	-------

Bending radius without load	2.165 in.
-----------------------------	-----------

Bending radius with load	110 mm
--------------------------	--------

Bending radius with load	4.331 in.
--------------------------	-----------

Materials and material properties

Material - Assembly housing	sheet steel
-----------------------------	-------------

Material - Assembly housing finish	Zn (zinc)
------------------------------------	-----------

Flame retardancy	yes
------------------	-----

Approvals

RoHS	compliant
------	-----------

The product meets the following standards

Generic cabling systems

General requirements	ISO/IEC 11801 Ed.2.2: 2011-06 DIN EN 50173-1: 2011-09 TIA/EIA 568-C.2 (2009-08)
----------------------	--

Connectors for electronic equipment

Free and fixed connectors	IEC 60603-7-51 Ed.1 (12/2008)
---------------------------	-------------------------------

Test for vertical flame propagation for a single insulated wire or cable

	IEC 60332-3-24
--	----------------



P | Cabling

Data sheet
DCCS2 C6_A PL23

Page 4/6

P/N
130D2CL2XXE

2017-31-05

Technical Data

Packing details

Type of packaging	1 Ring or drum
-------------------	----------------



Accessories

P/N	Designation
130D2B1B-E	DCCS2 BGT 19 inch 1RU subrack black
130D2B1G-E	DCCS2 BGT 19 inch 1RU subrack light gray

Illustrations

Dimensional drawing

