

Data sheet

DCCS2 subassembly C6_A MTC1

Page 1/6

P/N
130D2CM1-E

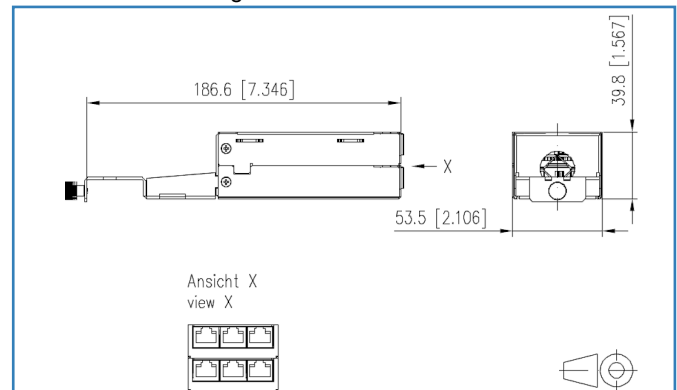
EAN 4250184153757

2016-14-07

Illustrations



Dimensional drawing



See enlarged drawings at the end of document

Product specification

- 6 port RJ45 subassembly to mount one 24-pair installation cable AWG26 or AWG23
- component testing for Cat.6_A to ISO/IEC 11801 Ed.2.2:2011-06, DIN EN 50173-1:2011-09, TIA/EIA-568-C.2 (2009-08) and IEC 60603-7-51 Ed.1 (12/2008), certified by GHMT
- compliance with class E_A up to 500 MHz to ISO/IEC 11801 Ed.2.2:2011-06, DIN EN 50173-1:2011-09, certified by GHMT
- tested: components up to 600 MHz, link up to 800 MHz
- suitable for 10 GBit Ethernet (IEEE 802.3an), Remote Powering (PoE, PoE plus and UPoE) and HDBaseT
- Alien Next optimized, shielded jacks
- the locking levers of patch cords connected to DCCS2 subassemblies show upwards and are easy to handle at any time
- connection of one data cable AWG 26/1 to 22/1 (solid wire) to LSA IDC terminal blocks
- marking of conductor assignment to T568A
- solid and refined assembly housing
- shield tap for installation cable separate from strain relief
- mounting version: DCCS2

Technical Data

General Data

| | |
|-------------------------|---------------------------|
| Design | Subassembly |
| Mounting style | DCCS |
| Shielding | shielded |
| Transmission technology | Copper |
| Wiring | T568A |
| Dimensions | |
| Dimension (L x W x H) | 186.60 x 53.50 x 39.80 mm |
| Dimension (L x W x H) | 7.346 x 2.106 x 1.57 in. |

Transmission characteristics

| | |
|---------------------------------|----------------|
| Category (ISO) | 6 _A |
| Class (ISO/IEC) | E _A |
| Category (TIA) | 6A |
| Remote Powering | yes |
| PoE | IEEE 802.3af |
| PoE plus | IEEE 802.3at |
| UPoE | yes |
| HDBaseT | yes |
| Transmission rate up to 10 GBit | IEEE 802.3an |

Connections/interfaces

| | |
|--|-------------------------------|
| Connector technology interface 1 | LSA terminal block |
| Connector technology interface 2 | RJ45-jack |
| Number of ports interface 2 | 6 |
| Number of ports interface 2 equipped | 6 |
| Number of positions/contacts interface 2 | 6 x 8P/8C |
| Termination data, solid wire (min. - max.) | |
| Conductor cross section, solid wire | AWG 26/1 - 22/1 |
| Conductor cross section, solid wire | 0.128 - 0.324 mm ² |
| Conductor diameter, solid wire (bare copper) | 0.409 - 0.643 mm |
| Conductor diameter, solid wire (bare copper) | 0.016 - 0.025 in. |



Technical Data

Mechanical characteristics

| | |
|---|-----|
| Position/mounting of latch - standard installation position | top |
|---|-----|

Materials and material properties

| | |
|--|-----------------------|
| Material - Assembly housing | sheet steel |
| Material - Assembly housing finish | Zn (zinc) |
| Material - Jack contact | CuSn (tin bronze) |
| Material - Jack contact finish | Ni + Au (nickel-gold) |
| Material - Terminal block contact | CuZn (brass) |
| Material - Terminal block contact finish | Sn (tin) |

Environmental conditions

| | |
|----------------------------|--------------|
| Temperature (min. - max.) | |
| Temperature - Storage °C | -40 - 70 °C |
| Temperature - Storage °F | -40 - 158 °F |
| Temperature - Operating °C | -40 - 70 °C |
| Temperature - Operating °F | -40 - 158 °F |

Certifications

| | |
|----------------------------------|------------|
| GHMT Component | yes |
| GHMT component - Validity period | 30.11.2016 |

Approvals

| | |
|------|-----------|
| RoHS | compliant |
|------|-----------|

The product meets the following standards

| | |
|-------------------------------------|--|
| Generic cabling systems | |
| General requirements | ISO/IEC 11801 Ed.2.2: 2011-06 DIN EN 50173-1: 2011-09 TIA/EIA 568-C.2 (2009-08) |
| Connectors for electronic equipment | |
| Free and fixed connectors | DIN EN 60603-7-51:2011-01 |



Technical Data

Classifications

| | |
|----------|----------|
| ETIM 5.0 | EC002697 |
| ETIM 6.0 | EC002697 |

Packing details

| | |
|---------------------------------|---------------------------|
| Type of packaging | 1 pc(s) / box |
| Packaging unit - Weight (gram) | 320.00 g |
| Packaging unit - Weight (pound) | 0.71 lb |
| Packaging dimension (W x H x D) | 230.00 x 70.00 x 55.00 mm |
| Packaging dimension (W x H x D) | 9.055 x 2.756 x 2.165 in. |



Data sheet

DCCS2 subassembly C6_A MTC1

Page 5/6

P/N

130D2CM1-E

EAN 4250184153757

2016-14-07

Accessories

| P/N | Designation |
|------------|--|
| 130D2B1B-E | DCCS2 BGT 19 inch 1RU subrack black |
| 130D2B1G-E | DCCS2 BGT 19 inch 1RU subrack light gray |



Illustrations

Dimensional drawing

