

Data sheet

DCCS2 subassembly C6_A MTC6

Page 1/6

P/N
130D2CM6-E

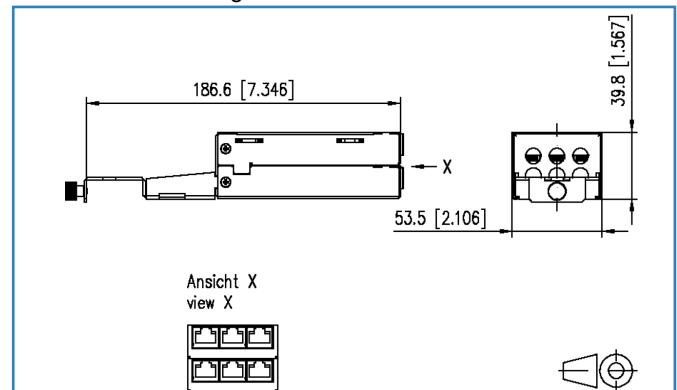
EAN 4250184153764

2016-14-07

Illustrations



Dimensional drawing



See enlarged drawings at the end of document

Product specification

- 6 port RJ45 subassembly to connect 6 individual installation cables
- component testing for Cat.6_A to ISO/IEC 11801 Ed.2.2:2011-06, DIN EN 50173-1:2011-09, TIA/EIA-568-C.2 (2009-08) and IEC 60603-7-51 Ed.1 (12/2008), certified by GHMT
- compliance with class E_A up to 500 MHz to ISO/IEC 11801 Ed.2.2:2011-06, DIN EN 50173-1:2011-09, certified by GHMT
- tested: components up to 600 MHz, link up to 800 MHz
- suitable for 10 GBit Ethernet (IEEE 802.3an), Remote Powering (PoE, PoE plus and UPoE) and HDBaseT
- Alien Next optimized, shielded jacks
- the locking levers of patch cords connected to DCCS2 subassemblies show upwards and are easy to handle at any time
- connection of one data cable AWG 26/1 to 22/1 (solid wire) to LSA IDC terminal blocks
- marking of conductor assignment to T568A
- solid and refined assembly housing
- shield tap for installation cable separate from strain relief
- mounting version: DCCS2

Technical Data

General Data

Design	Subassembly
Mounting style	DCCS
Shielding	shielded
Transmission technology	Copper
Wiring	T568A
Dimensions	
Dimension (L x W x H)	186.60 x 53.50 x 39.80 mm
Dimension (L x W x H)	7.346 x 2.106 x 1.57 in.

Transmission characteristics

Category (ISO)	6 _A
Class (ISO/IEC)	E _A
Category (TIA)	6A
Remote Powering	yes
PoE	IEEE 802.3af
PoE plus	IEEE 802.3at
UPoE	yes
HDBaseT	yes
Transmission rate up to 10 GBit	IEEE 802.3an

Connections/interfaces

Connector technology interface 1	LSA terminal block
Connector technology interface 2	RJ45-jack
Number of ports interface 2	6
Number of ports interface 2 equipped	6
Number of positions/contacts interface 2	6 x 8P/8C
Termination data, solid wire (min. - max.)	
Conductor cross section, solid wire	AWG 26/1 - 22/1
Conductor cross section, solid wire	0.128 - 0.324 mm ²
Conductor diameter, solid wire (bare copper)	0.409 - 0.643 mm
Conductor diameter, solid wire (bare copper)	0.016 - 0.025 in.

Technical Data

Mechanical characteristics

Position/mounting of latch - standard installation position	top
---	-----

Materials and material properties

Material - Assembly housing	sheet steel
Material - Assembly housing finish	Zn (zinc)
Material - Jack contact	CuSn (tin bronze)
Material - Jack contact finish	Ni + Au (nickel-gold)
Material - Terminal block contact	CuZn (brass)
Material - Terminal block contact finish	Sn (tin)

Environmental conditions

Temperature (min. - max.)	
Temperature - Storage °C	-40 - 70 °C
Temperature - Storage °F	-40 - 158 °F
Temperature - Operating °C	-40 - 70 °C
Temperature - Operating °F	-40 - 158 °F

Certifications

GHMT Component	yes
GHMT component - Validity period	30.11.2016

Approvals

RoHS	compliant
------	-----------

The product meets the following standards

Generic cabling systems	
General requirements	ISO/IEC 11801 Ed.2.2: 2011-06 DIN EN 50173-1: 2011-09 TIA/EIA 568-C.2 (2009-08)
Connectors for electronic equipment	
Free and fixed connectors	DIN EN 60603-7-51:2011-01



Technical Data

Classifications

ETIM 5.0	EC002697
ETIM 6.0	EC002697

Packing details

Type of packaging	1 pc(s) / box
Packaging unit - Weight (gram)	320.00 g
Packaging unit - Weight (pound)	0.71 lb
Packaging dimension (W x H x D)	230.00 x 70.00 x 55.00 mm
Packaging dimension (W x H x D)	9.055 x 2.756 x 2.165 in.



Data sheet

DCCS2 subassembly C6_A MTC6

Page 5/6

P/N

130D2CM6-E

EAN 4250184153764

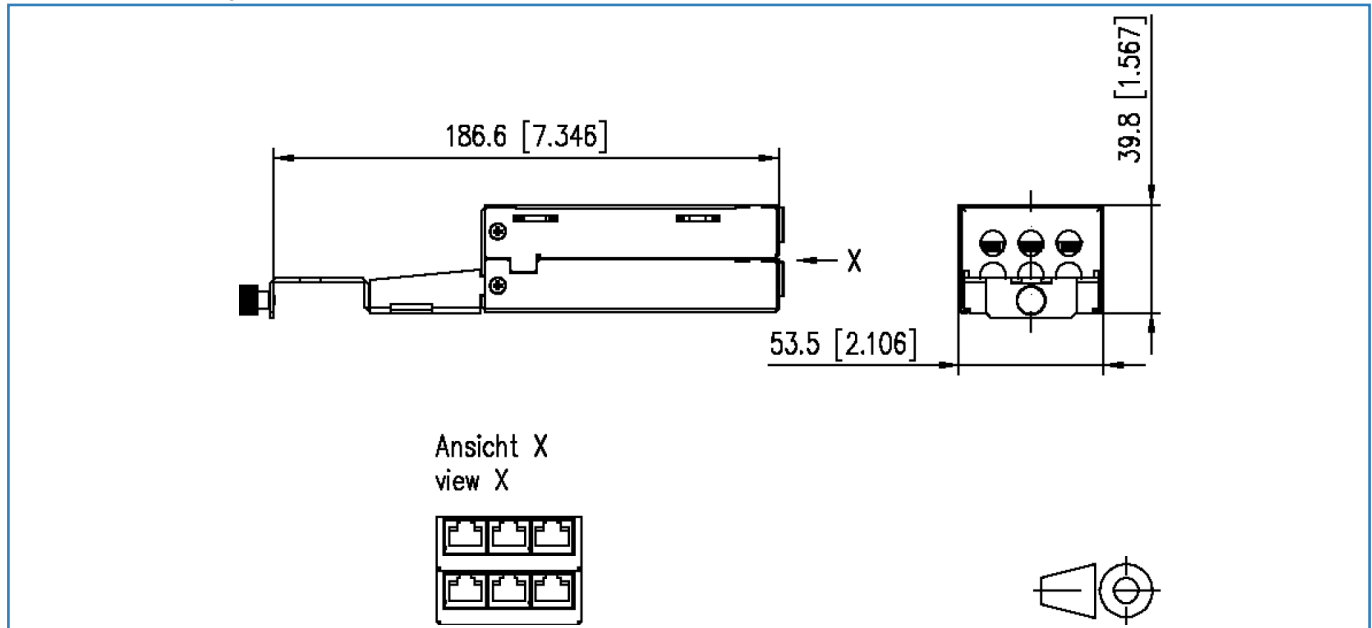
2016-14-07

Accessories

P/N	Designation
130D2B1B-E	DCCS2 BGT 19 inch 1RU subrack black
130D2B1G-E	DCCS2 BGT 19 inch 1RU subrack light gray

Illustrations

Dimensional drawing



© 2016 METZ CONNECT - Technische Änderungen vorbehalten! Subject to modifications! Sous réserve de modifications techniques!

