

## Data sheet

### DCCS2 subassembly 4 port unequipped for E-DAT Industry inserts

P/N  
130D2CMU6-E

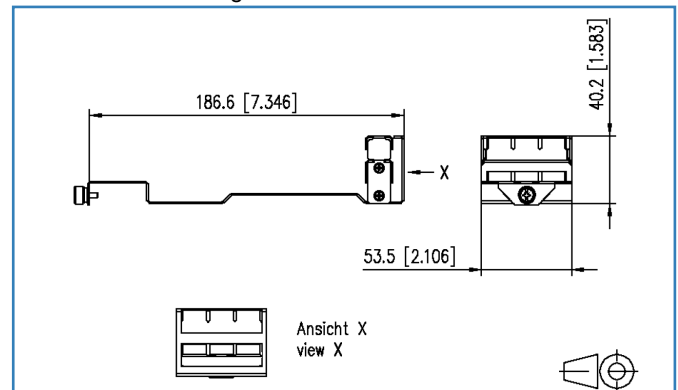
EAN 4250184193821

2017-18-01

## Illustrations



Dimensional drawing



See enlarged drawings at the end of document

## Product specification

- DCCS2 subassembly 6 port unequipped for E-DAT Industry Inserts
- solid stainless steel support
- fastening and potential equalization in 19-inch subracks by a knurled screw
- easy mounting/dismounting to/from 19-inch subracks in 19-inch cabinets (plug and play)
- design: DCCS2
- suitable RJ45 modules: 1401100810MI, 1401800810MI and 140190081MI
- suitable RJ45 couplers: 1401200810MI
- suitable USB couplers: 1401U00810MI (A/A)

## DCCS2 subassembly 4 port unequipped for E-DAT Industry inserts

P/N

130D2CMU6-E

EAN 4250184193821

2017-18-01

### Technical Data

#### General Data

Fields of application

Data center

Design

Subassembly

Mounting style

DCCS

Color

stainless steel

#### Connections/interfaces

Number of ports interface 1

6

Number of equipped ports interface 1

0

Number of ports interface 2

6

Number of ports interface 2 equipped

0

#### Mechanical characteristics

Strain relief

cable tie

#### Materials and material properties

Material - Housing

stainless steel

#### Approvals

RoHS

compliant

#### Classifications

ETIM 5.0

EC002697

ETIM 6.0

EC002697



Data sheet

Page 3/4

## DCCS2 subassembly 4 port unequipped for E-DAT Industry inserts

P/N

130D2CMU6-E

EAN 4250184193821

2017-18-01

### Accessories

P/N	Designation
130D2B1B-E	DCCS2 BGT 19 inch 1RU subrack black
130D2B1G-E	DCCS2 BGT 19 inch 1RU subrack light gray



**Illustrations**

Dimensional drawing

