

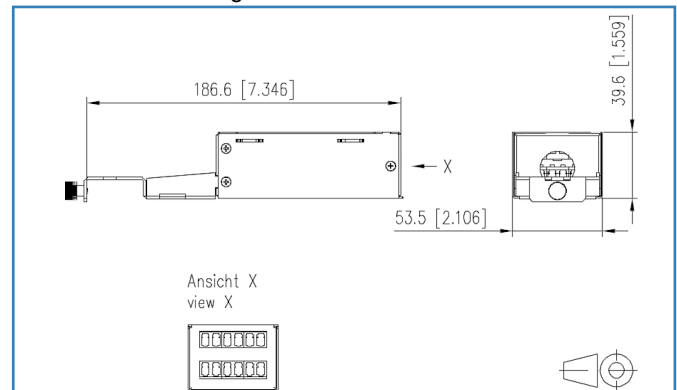
## Data sheet

### DCCS2 OS2 6xLC-D APC link

## Illustrations



### Dimensional drawing



See enlarged drawings at the end of document

## Product specification

- prefabricated fiber optic link consisting of 2 subassemblies DCCS2 each with 6 LC-D adapters mounted to a 12 fiber mini breakout cable
- port numbering of the DCCS2 19 inches subassembly frame remains in place when installing the FO subassemblies
- for 10 GBit Ethernet (IEEE 802.3an)
- the locking levers of patch cords connected to DCCS2 subassemblies show upwards and are easy to handle at any time
- solid and refined assembly housing
- cable diameter less than 6.5 mm
- delivery with serial number and 12 attenuation measurement reports
- mounting version: DCCS2
- available in prefabricated, customer specific lengths - replace xxx in the part number by the length - examples: 0050 = 5.0 m; 0100 = 10.0 m; 0995 = 99.5 m; 2000 = 200.0 m
- maximum length: 500 m
- variants: blue (OS2), lime green (OM5), violet (OM4), aqua (OM3) or green (OS2 APC)



### Technical Data

#### General Data

Fields of application	Data center
Design	Subassembly
Mounting style	DCCS
Shielding	shielded
Transmission technology	Fiber optic
Wiring	crossed
Port numbering	yes
Color	green
Dimensions	
Dimension (L x W x H)	186.60 x 53.50 x 39.6 mm
Dimension (L x W x H)	7.346 x 2.106 x 1.559 in.
Mode type of the fiber	Single mode
Cable Type	Mini breakout
Number of cables/ cores	1
Shape	APC (Angled Physical Contact)
Fiber construction	9/125 µm
Maximum length	500.00 m

#### Transmission characteristics

Transmission rate up to 10 GBit (Gigabit-Ethernet)	IEEE 802.3an
Reach	
Reach 1000BASE LX	5000 m
Reach 10GBASE L	10000 m
Reach 10GBASE EW/ER	40000 m
Reach 40GBASE LR4	10000 m
Reach 100GBASE ER4	10000 m

#### Connections/interfaces

Connector technology interface 1	LC-D APC
Connector technology interface 2	LC-D APC
Number of ports interface 1	6
Number of ports interface 2	6
Number of equipped ports interface 1	6
Number of ports interface 2 equipped	6



### Technical Data

#### Connections/interfaces

Number of ports with dust protection interface 2	6
Cable sheath diameter (min. - max.)	
Cable sheath diameter	6.5 mm
Cable sheath diameter	0.256 in.

#### Optical characteristics

Attenuation of the fiber	
Attenuation of the fiber in the cable at 1310 nm	0.38 dB/km
Attenuation of the fiber in the cable at 1383 nm	0.38 dB/km
Attenuation of the fiber in the cable at 1550 nm	0.38 dB/km
Attenuation of the fiber in the cable at 1625 nm	0.38 dB/km

#### Mechanical characteristics

Connector type	Duplex
strain relief	cable tie + fixing bolt for the kevlar of the cable
Maximum installation load	50.00 mm
Maximum installation load	1.969 in.
Maximum operating bending radius	100.00 mm
Maximum operating bending radius	3.937 in.
10 turns on a mandrel R= 15 mm, @ 1550 nm	0.03 dB
1 turn on a mandrel R= 7.5 mm, @ 1550 nm	0.5 dB

#### Materials and material properties

Material - Coupler housing	Plastics
Material - Housing	sheet steel
Material - Housing finish	Zn (zinc)
Material - Sleeve	ceramic, slotted
Bend insensitivity	yes

#### Approvals

RoHS	compliant
------	-----------



### Technical Data

#### The product meets the following standards

##### Generic cabling systems

General requirements	ISO/IEC 11801   DIN EN 50173
----------------------	------------------------------

##### Optical fibers: Indoor optical cables

Sectional specification for class B single-mode fibres	ISO/IEC 60793-2-50 type B.1.3 & B6_b
--	--------------------------------------

##### Tests on electric and optical fibre cables under fire conditions

Test for vertical flame propagation for a single insulated wire or cable	DIN EN 60332-1-2
--	------------------

Test for vertical flame propagation for a single insulated wire or cable	ISO/IEC 60332-1-2
--	-------------------

Test for vertical flame spread of vertically-mounted bunched wires or cables	ISO/IEC 60332-3-24
--	--------------------

Measurement of smoke density of cables burning	ISO/IEC 61034-2
--	-----------------

#### Packing details

Type of packaging	0 pc(s)
-------------------	---------

Packaging dimension (W x H x D)	0.00 x 0.00 x 0.00 mm
---------------------------------	-----------------------



### Accessories

P/N	Designation
130D2B1B-E	DCCS2 BGT 19 inch 1RU subrack black
130D2B1G-E	DCCS2 BGT 19 inch 1RU subrack light gray



**Illustrations**

Dimensional drawing

