

Data sheet

DCCS2 subassembly OM3 MPO 6xLC-D

Page 1/5

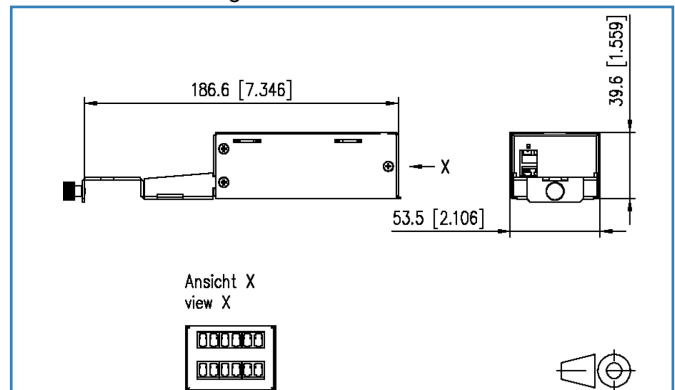
P/N
130D2FM51A-E
EAN 4250184158806

2018-13-03

Illustrations



Dimensional drawing



See enlarged drawings at the end of document

Product specification

- DCCS2 fiber optic subassembly MPO with 6 mounted LC-D adapters
- port numbering of the DCCS2 19 inches subassembly frame remains in place when the fiber optic subassembly is installed
- all locking levers of patch cords connected to DCCS2 subassemblies show upwards and are easy to handle at any time
- on the back 1 x MPO adapter (exterior: key up) polarity, Method A
- solid and refined subassembly housing
- mounting version: DCCS2
- variants: blue (OS2), heather violet (OM4), aqua (OM3), green (OS2 APC)



Technical Data

General Data

Fields of application	Structured building cabling, Office Data center
Design	Subassembly
Mounting style	DCCS
Transmission technology	Fiber optic
Color	aqua
Dimensions	
Dimension (L x W x H)	186.60 x 53.50 x 39.60 mm
Dimension (L x W x H)	7.346 x 2.106 x 1.559 in.
Inches	19 inches
Fiber class	OM3: ISO/IEC 11801/EN 50173 & IEC 60793-2-10/EN 60793-2-10 A1.a.2
Mode type of the fiber	Multimode
Fiber construction	50/125 µm

Connections/interfaces

Connector technology interface 1	MPO - Polarity, method A
Connector technology interface 2	LC-D Couplers
Number of ports interface 2	6
Number of equipped ports interface 2	6
Number of ports with dust protection interface 2	6

Mechanical characteristics

Cut-out	SC, LC-D, E2000
Connector type	Duplex
Life - Number of mating cycles	min. 1000

Materials and material properties

Material - Assembly housing	sheet steel
Material - Assembly housing finish	Zn (zinc)
Material - Sleeve	ceramic, slotted
Material - Coupler housing	Plastics

DCCS2 subassembly OM3 MPO 6xLC-D

P/N

130D2FM51A-E

EAN 4250184158806

2018-13-03

Technical Data**Approvals**

RoHS	compliant
------	-----------

Classifications

ETIM 5.0	EC002697
----------	----------

ETIM 6.0	EC002699
----------	----------

Packing details

Type of packaging	1 pc(s) / plastic bag
-------------------	-----------------------

Packaging dimension (W x H x D)	300.00 x 200.00 x 50.00 mm
---------------------------------	----------------------------

Packaging dimension (W x H x D)	11.811 x 7.874 x 1.969 in.
---------------------------------	----------------------------



Accessories

P/N	Designation
130D2B1B-E	DCCS2 BGT 19 inch 1RU subrack black
130D2B1G-E	DCCS2 BGT 19 inch 1RU subrack light gray
130D2F5MPAXXXE	DCCS2 OM3 MPO link



Illustrations

Dimensional drawing

