

## Data sheet

### DCCS2 subassembly OM4 MPO 6xLC-D

Page 1/5

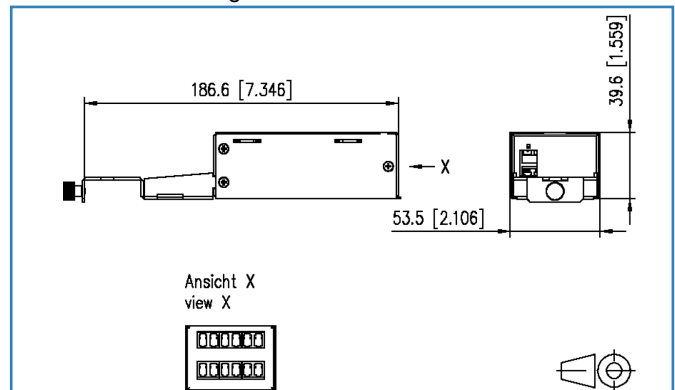
P/N  
130D2FM71A-E  
EAN 4250184158790

2018-13-03

## Illustrations



Dimensional drawing



See enlarged drawings at the end of document

## Product specification

- DCCS2 fiber optic subassembly MPO with 6 mounted LC-D adapters
- port numbering of the DCCS2 19 inches subassembly frame remains in place when the fiber optic subassembly is installed
- all locking levers of patch cords connected to DCCS2 subassemblies show upwards and are easy to handle at any time
- on the back 1 x MPO adapter (exterior: key up) polarity, Method A
- solid and refined subassembly housing
- mounting version: DCCS2
- variants: blue (OS2), heather violet (OM4), aqua (OM3), green (OS2 APC)



## DCCS2 subassembly OM4 MPO 6xLC-D

P/N  
130D2FM71A-E  
EAN 4250184158790

2018-13-03

### Technical Data

#### General Data

Fields of application	Structured building cabling, Office Data center
Design	Subassembly
Mounting style	DCCS
Transmission technology	Fiber optic
Color	violet
Dimensions	
Dimension (L x W x H)	186.60 x 53.50 x 39.60 mm
Dimension (L x W x H)	7.346 x 2.106 x 1.559 in.
Fiber class	OM4: ISO/IEC 11801/EN 50173 & IEC 60793-2-10/EN 60793-2-10 A1.a.3
Mode type of the fiber	Multimode
Fiber construction	50/125 µm

#### Connections/interfaces

Connector technology interface 1	MPO - Polarity, method A
Connector technology interface 2	LC-D Couplers
Number of ports interface 2	6
Number of equipped ports interface 2	6
Number of ports with dust protection interface 2	6

#### Mechanical characteristics

Cut-out	SC, LC-D, E2000
Connector type	Duplex
Life - Number of mating cycles	min. 1000

#### Materials and material properties

Material - Assembly housing	sheet steel
Material - Assembly housing finish	Zn (zinc)
Material - Sleeve	ceramic, slotted
Material - Coupler housing	Plastics



**DCCS2 subassembly OM4 MPO 6xLC-D**

P/N

130D2FM71A-E

EAN 4250184158790

2018-13-03

**Technical Data****Approvals**

RoHS	compliant
------	-----------

**Classifications**

ETIM 5.0	EC002697
----------	----------

ETIM 6.0	EC002699
----------	----------

**Packing details**

Type of packaging	1 pc(s) / plastic bag
-------------------	-----------------------

Packaging dimension (W x H x D)	300.00 x 200.00 x 50.00 mm
---------------------------------	----------------------------

Packaging dimension (W x H x D)	11.811 x 7.874 x 1.969 in.
---------------------------------	----------------------------



## DCCS2 subassembly OM4 MPO 6xLC-D

P/N

130D2FM71A-E

EAN 4250184158790

2018-13-03

### Accessories

P/N	Designation
130D2B1B-E	DCCS2 BGT 19 inch 1RU subrack black
130D2B1G-E	DCCS2 BGT 19 inch 1RU subrack light gray
130D2F7MPAXXXE	DCCS2 OM4 MPO link



**Illustrations**

Dimensional drawing

