

Data sheet

DCCS2 subassembly OS2 MPO 6xLC-D

Page 1/5

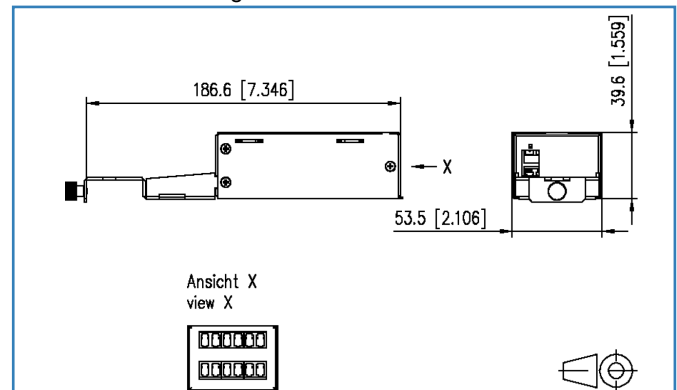
P/N
130D2FM91A-E
EAN 4250184158820

2017-08-11

Illustrations



Dimensional drawing



See enlarged drawings at the end of document

Product specification

- DCCS2 fiber optic subassembly MPO with 6 mounted LC-D adapters
- port numbering of the DCCS2 19 inches subassembly frame remains in place when the fiber optic subassembly is installed
- all locking levers of patch cords connected to DCCS2 subassemblies show upwards and are easy to handle at any time
- on the back 1 x MPO adapter (exterior: key up) polarity, Method A
- solid and refined subassembly housing
- mounting version: DCCS2
- variants: blue (OS2), heather violet (OM4), aqua (OM3), green (OS2 APC)



DCCS2 subassembly OS2 MPO 6xLC-D

P/N
130D2FM91A-E
EAN 4250184158820

2017-08-11

Technical Data

General Data

Fields of application	Structured building cabling, Data center
Design	Subassembly
Mounting style	DCCS
Transmission technology	Fiber optic
Color	blue
Dimensions	
Dimension (L x W x H)	186.60 x 53.50 x 39.60 mm
Dimension (L x W x H)	7.346 x 2.106 x 1.559 in.
Mode type of the fiber	Single mode
Fiber construction	9/125 µm

Connections/interfaces

Connector technology interface 1	MPO - Polarity, method A
Connector technology interface 2	LC-D Couplers
Number of ports interface 2	6
Number of ports interface 2 equipped	6
Number of ports with dust protection interface 2	6

Mechanical characteristics

Cut-out	SC, LC-D, E2000
Connector type	Duplex
Life - Number of mating cycles	min. 1000

Materials and material properties

Material - Assembly housing	sheet steel
Material - Assembly housing finish	Zn (zinc)
Material - Sleeve	ceramic, slotted
Material - Coupler housing	Plastics

Approvals

RoHS	compliant
------	-----------



Data sheet

Page 3/5

DCCS2 subassembly OS2 MPO 6xLC-D

P/N

130D2FM91A-E

EAN 4250184158820

2017-08-11

Technical Data

Classifications

ETIM 5.0	EC002697
ETIM 6.0	EC002699

Packing details

Type of packaging	1 pc(s) / Ring or drum
-------------------	------------------------



DCCS2 subassembly OS2 MPO 6xLC-D

P/N

130D2FM91A-E

EAN 4250184158820

2017-08-11

Accessories

P/N	Designation
130D2B1B-E	DCCS2 BGT 19 inch 1RU subrack black
130D2B1G-E	DCCS2 BGT 19 inch 1RU subrack light gray
130D2F9MPAXXXE	DCCS2 OS2 MPO link



Illustrations

Dimensional drawing

