

Data sheet

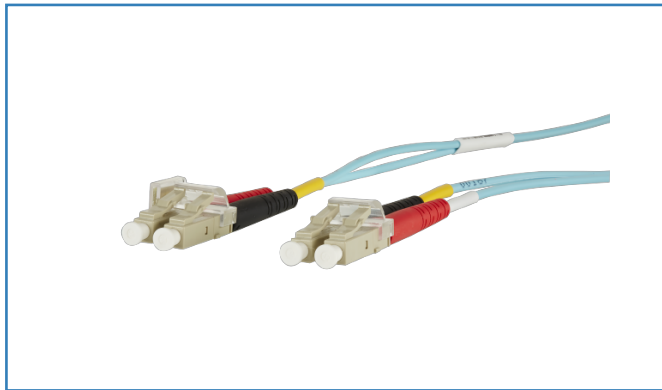
PM PIC OpDAT patch cord LC-D/LC-D OM3 aqua, 1.0 m

Page 1/5

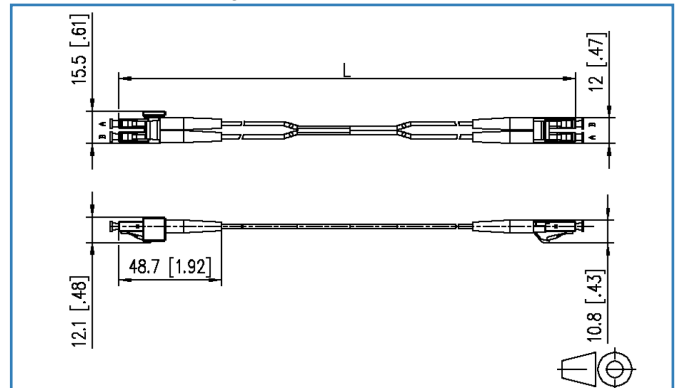
P/N
13PJ1JOJO101E
EAN 4251122182860

2018-13-03

Illustrations



Dimensional drawing



See enlarged drawings at the end of document

Product specification

- patch cord for the METZ CONNECT Patch Management System
- multi mode patch cord I-V(ZN)H 50/125 OM3
- laser-optimized, bend insensitive multi mode fiber OM3, G50/125 μm to IEC 60793-2-10 type A1a.2
- outer diameter 2.0 x 4,2 mm
- halogen-free sheath material with low smoke development LSHF-FR, flame retardant
- duplex cord as zip-cord (figure 8) with two tight buffered fibers and aramide as strain relief
- machine polished front face
- 100 % tested
- colors may slightly vary due to production lots
- maximum length 20 m
- available in various lengths – replace xx in the part number by the desired length as follows: 10 = 1.0 m; 20 = 2.0 m; 50 = 5.0 m; A0 = 10 m; B0 = 20 m
- one connector features an integrated RFID tag, pre-configured to highlight its ID, length, color, type and performance class
- RFID tag to ISO/IEC15693



Technical Data

General Data

| | |
|-------------------------------------|--|
| Fields of application | Structured building cabling, Office Data center, METZ CONNECT Patch Management System |
| Design | Patch cords |
| Transmission technology | Fiber optic |
| Wiring | crossed |
| Color | aqua |
| Dimensions | |
| Dimension - Interface 1 (L x W x H) | 48.70 x 15.50 x 12.10 mm |
| Dimension - Interface 1 (L x W x H) | 1.917 x 0.61 x 0.476 in. |
| Dimension - Interface 2 (L x W x H) | 48.70 x 12.00 x 10.80 mm |
| Dimension - Interface 2 (L x W x H) | 1.917 x 0.472 x 0.425 in. |
| Mode type of the fiber | Multimode |
| Fiber class | OM3: ISO/IEC 11801/EN 50173 & IEC 60793-2-10/EN 60793-2-10 A1.a.2 |
| Number of cables/ cores | 2 |
| Fiber construction | 50/125 µm |
| Cable length (m) | 1.00 m |
| Maximum length | 20.00 m |
| Weight | 8.0 kg/km |

Transmission characteristics

| | |
|--|---------------|
| Reach | |
| Reach 100BASE | 2000 m |
| Reach 1000BASE LX | 550 m |
| Reach 1000BASE SX | 1000 m |
| Reach 10GBASE LX4 | 300 m |
| Reach 10GBASE SW/SR | 300 m |
| Reach 40GBASE SR4 | 100 m |
| Overfilled (OFL) modal bandwidth at 850 nm (min.) | 1500 MHz * km |
| Overfilled (OFL) modal bandwidth at 1300 nm (min.) | 500 MHz * km |
| Effective modal bandwidth (EMB) at 850 nm (min.) | 2000 MHz * km |



Technical Data

Connections/interfaces

| | |
|----------------------------------|-------------|
| Connector technology interface 1 | LC-D PC |
| Connector technology interface 2 | LC-D PC |
| RFID-Tag | on one side |
| Ferrule diameter | 1.25 mm |
| Ferrule diameter | 0.049 in. |

Optical characteristics

| | |
|----------------|-------------|
| Insertion loss | max. 0.4 dB |
| Return loss | min. 35 dB |

Mechanical characteristics

| | |
|--------------------------------|----------------|
| Life - Number of mating cycles | min. 1000 |
| strain relief | aramide fibres |
| Short term tensile strength | 70 N |
| Minimum bending radius | 7.50 mm |
| Minimum bending radius | 0.295 in. |

Materials and material properties

| | |
|--------------------|-----|
| Bend insensitivity | yes |
| Flame retardancy | yes |
| Halogen free | yes |

Environmental conditions

| | |
|----------------------------|-------------|
| Temperature (min. - max.) | |
| Temperature - Operating °C | -10 - 60 °C |
| Temperature - Operating °F | 14 - 140 °F |

Approvals

| | |
|------|-----------|
| RoHS | compliant |
|------|-----------|

Technical Data

The product meets the following standards

Generic cabling systems

| | |
|----------------------|---------------|
| General requirements | ISO/IEC 11801 |
|----------------------|---------------|

| | |
|----------------------------------|--------------|
| Fibre optic connector interfaces | IEC 61754-20 |
|----------------------------------|--------------|

Optical fibers: Product specifications

| | |
|--|----------------------------|
| Sectional specification for category A1 multimode fibres | ISO/IEC 60793-2-10 (A1a.2) |
|--|----------------------------|

Test on gases evolved during combustion of materials from cables

| | |
|---|-------------|
| Determination of acidity (by measuring the pH value) and conductivity | IEC 60754-2 |
|---|-------------|

Tests on electric and optical fibre cables under fire conditions

| | |
|--|-------------------|
| Test for vertical flame propagation for a single insulated wire or cable | ISO/IEC 60332-1-2 |
|--|-------------------|

| | |
|--|-----------------|
| Measurement of smoke density of cables burning | ISO/IEC 61034-2 |
|--|-----------------|

| | |
|--|---|
| Vicinity Integrated Circuit Cards (VICC) | RFID-Tag according to ISO/IEC 15693 1¼m |
|--|---|

Packing details

| | |
|-------------------|-----------------------|
| Type of packaging | 1 pc(s) / plastic bag |
|-------------------|-----------------------|

| | |
|--------------------------------|---------|
| Packaging unit - Weight (gram) | 20.00 g |
|--------------------------------|---------|

| | |
|---------------------------------|---------|
| Packaging unit - Weight (pound) | 0.04 lb |
|---------------------------------|---------|



Illustrations

Dimensional drawing

