

Data sheet

OpDAT Industry terminal rail TS35 + LC-D MM adapter insert

Page 1/4

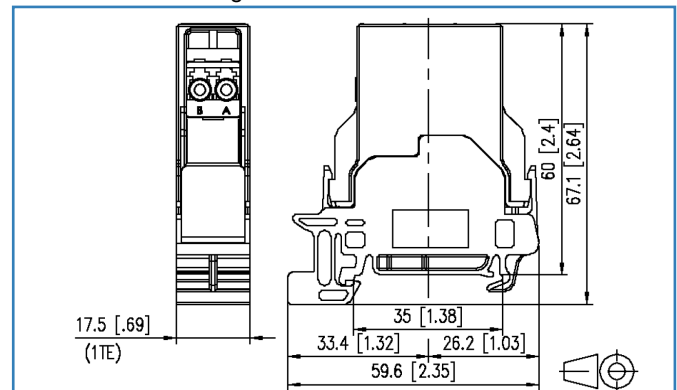
P/N
1402306113KE
EAN 4250184119081

2018-26-02

Illustrations



Dimensional drawing



See enlarged drawings at the end of document

Product specification

- termination unit with LC-D adapter on TH35 rail to DIN EN 60715
- slotted zirconium oxide ceramics sleeve (ZrO₂) for single mode applications
- slotted metal sleeve (Ph-Br) for multi mode applications
- width of 1HP allows mounting up to 12 units in a standard electrical distribution panel
- vertical plugging direction, 90° to rail
- variants: SM, MM

Data sheet

Page 2/4

OpDAT Industry terminal rail TS35 + LC-D MM adapter insert

P/N
1402306113KE
EAN 4250184119081

2018-26-02

Technical Data

General Data

| | |
|-------------------------|---------------------------|
| Fields of application | Office |
| Design | Wall outlet |
| Mounting style | Standard rail TH35 |
| Transmission technology | Fiber optic |
| Color | light gray |
| Dimensions | |
| Dimension (L x W x H) | 67.10 x 17.50 x 59.60 mm |
| Dimension (L x W x H) | 2.642 x 0.689 x 2.346 in. |
| Horizontal pitch | 1HP |
| Mode type of the fiber | Multimode |

Connections/interfaces

| | |
|--|----------|
| Connector technology interface 1 | LC-D |
| Connector technology interface 2 | LC-D |
| Number of ports interface 1 | 1 |
| Number of ports interface 2 | 1 |
| Number of equipped ports interface 1 | 1 |
| Number of ports interface 2 equipped | 1 |
| Number of ports with dust protection interface 1 | 1 |
| Number of ports with dust protection interface 2 | 1 |
| Module plug-in direction | vertical |

Mechanical characteristics

| | |
|---|-----------------|
| Cut-out | SC, LC-D, E2000 |
| Connector type | Simplex |
| Position/mounting of latch - standard installation position | top |

Materials and material properties

| | |
|--------------------------|---------------|
| Material - Housing | Plastics |
| Material - Cover part(s) | Frianyl |
| Material - Lower housing | Frianyl |
| Material - Sleeve | PhBr, slotted |

Data sheet

Page 3/4

OpDAT Industry terminal rail TS35 + LC-D MM adapter insert

P/N

1402306113KE

EAN 4250184119081

2018-26-02

Technical Data

Environmental conditions

Increased robustness yes

Certifications

RoHS compliant

The product meets the following standards

Mechanical fastening of electrical devices in switchgears DIN EN 60715

Classifications

ETIM 5.0 EC001121

ETIM 6.0 EC002598

Packing details

Type of packaging 10 pc(s) / box

Packaging unit - Weight (gram) 250.00 g

Packaging unit - Weight (pound) 0.55 lb

Packaging dimension (W x H x D) 250.00 x 105.00 x 89.00 mm

Packaging dimension (W x H x D) 9.843 x 4.134 x 3.504 in.



Data sheet

**OpDAT Industry terminal rail TS35
+ LC-D MM adapter insert**

Page 4/4

P/N
1402306113KE
EAN 4250184119081

2018-26-02

Illustrations

Dimensional drawing

