

Data sheet

OpDAT Industry terminal rail TS35 + LC-D SM adapter insert

Page 1/4

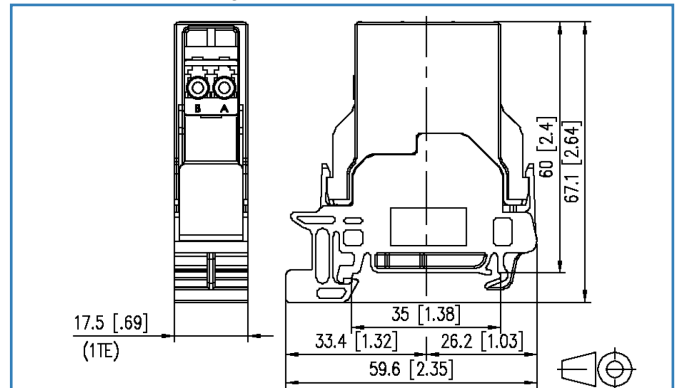
P/N
1402L06113KE
EAN 4250184119098

2018-26-02

Illustrations



Dimensional drawing



See enlarged drawings at the end of document

Product specification

- termination unit with LC-D adapter on TH35 rail to DIN EN 60715
- slotted zirconium oxide ceramics sleeve (ZrO₂) for single mode applications
- slotted metal sleeve (Ph-Br) for multi mode applications
- width of 1HP allows mounting up to 12 units in a standard electrical distribution panel
- vertical plugging direction, 90° to rail
- variants: SM, MM

**OpDAT Industry terminal rail TS35
+ LC-D SM adapter insert**

P/N
1402L06113KE
EAN 4250184119098

2018-26-02

Technical Data

General Data

Fields of application	Office
Design	Wall outlet
Mounting style	Standard rail TH35
Transmission technology	Fiber optic
Color	light gray
Dimensions	
Dimension (L x W x H)	67.10 x 17.50 x 59.60 mm
Dimension (L x W x H)	2.642 x 0.689 x 2.346 in.
Horizontal pitch	1HP
Mode type of the fiber	Single mode

Connections/interfaces

Connector technology interface 1	LC-D
Connector technology interface 2	LC-D
Number of ports interface 1	1
Number of ports interface 2	1
Number of equipped ports interface 1	1
Number of ports interface 2 equipped	1
Number of ports with dust protection interface 1	1
Number of ports with dust protection interface 2	1
Module plug-in direction	vertical

Mechanical characteristics

Cut-out	SC, LC-D, E2000
Connector type	Simplex
Position/mounting of latch - standard installation position	top

Materials and material properties

Material - Housing	Plastics
Material - Cover part(s)	Frianyl
Material - Lower housing	Frianyl
Material - Sleeve	ceramic, slotted



Data sheet

Page 3/4

OpDAT Industry terminal rail TS35 + LC-D SM adapter insert

P/N

1402L06113KE

EAN 4250184119098

2018-26-02

Technical Data

Environmental conditions

Increased robustness yes

Certifications

RoHS compliant

The product meets the following standards

Mechanical fastening of electrical devices in switchgears DIN EN 60715

Classifications

ETIM 5.0 EC001121

ETIM 6.0 EC002598

Packing details

Type of packaging 10 pc(s) / box

Packaging unit - Weight (gram) 250.00 g

Packaging unit - Weight (pound) 0.55 lb

Packaging dimension (W x H x D) 250.00 x 105.00 x 89.00 mm

Packaging dimension (W x H x D) 9.843 x 4.134 x 3.504 in.



Data sheet

Page 4/4

**OpDAT Industry terminal rail TS35
+ LC-D SM adapter insert**

P/N
1402L06113KE

EAN 4250184119098

2018-26-02

Illustrations

Dimensional drawing

