

## Data sheet

### OpDAT Industry terminal rail TS35 + SC-D SM adapter insert

Page 1/4

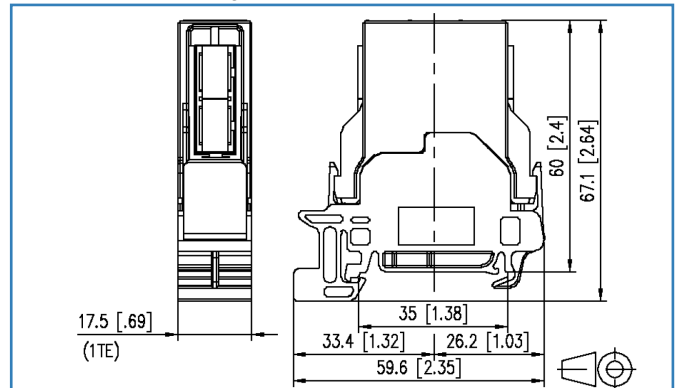
P/N  
1402Q06113KE  
EAN 4250184119135

2018-26-02

## Illustrations



Dimensional drawing



See enlarged drawings at the end of document

## Product specification

- termination unit with SC-D adapter on TH35 rail to DIN EN 60715
- slotted zirconium oxide ceramics sleeve (ZrO<sub>2</sub>) for single mode applications
- slotted metal sleeve (Ph-Br) for multi mode applications
- width of 1HP allows mounting up to 12 units in a standard electrical distribution panel
- vertical plugging direction, 90° to rail
- variants: SM, MM

## OpDAT Industry terminal rail TS35 + SC-D SM adapter insert

P/N  
1402Q06113KE  
EAN 4250184119135

2018-26-02

### Technical Data

#### General Data

Fields of application	Office
Design	Wall outlet
Mounting style	Standard rail TH35
Transmission technology	Fiber optic
Color	light gray
Dimensions	
Dimension (L x W x H)	67.10 x 17.50 x 59.60 mm
Dimension (L x W x H)	2.642 x 0.689 x 2.346 in.
Horizontal pitch	1HP
Mode type of the fiber	Single mode

#### Connections/interfaces

Connector technology interface 1	SC-D
Connector technology interface 2	SC-D
Number of ports interface 1	1
Number of ports interface 2	1
Number of equipped ports interface 1	1
Number of ports interface 2 equipped	1
Number of ports with dust protection interface 1	1
Number of ports with dust protection interface 2	1
Module plug-in direction	vertical

#### Mechanical characteristics

Cut-out	SC-D, LC-Q, ST-D
Connector type	Duplex
Life - Number of mating cycles	min. 1000

#### Materials and material properties

Material - Housing	GD-Zn (zinc die-cast)
Material - Cover part(s)	Frianyl
Material - Lower housing	Frianyl
Material - Sleeve	ceramic, slotted



Data sheet

Page 3/4

## OpDAT Industry terminal rail TS35 + SC-D SM adapter insert

P/N  
1402Q06113KE  
EAN 4250184119135

2018-26-02

### Technical Data

#### Environmental conditions

Increased robustness yes

#### Certifications

RoHS compliant

#### The product meets the following standards

Mechanical fastening of electrical devices in switchgears DIN EN 60715

#### Classifications

ETIM 5.0 EC001121  
ETIM 6.0 EC002598

#### Packing details

Type of packaging 10 pc(s) / box  
Packaging unit - Weight (gram) 290.00 g  
Packaging unit - Weight (pound) 0.64 lb  
Packaging dimension (W x H x D) 250.00 x 105.00 x 89.00 mm  
Packaging dimension (W x H x D) 9.843 x 4.134 x 3.504 in.



Data sheet

Page 4/4

**OpDAT Industry terminal rail TS35  
+ SC-D SM adapter insert**

P/N  
1402Q06113KE  
EAN 4250184119135

2018-26-02

**Illustrations**

Dimensional drawing

