

Data sheet

OpDAT 4 AP unequipped simplex pure white

Page 1/4

P/N

1501120002-E

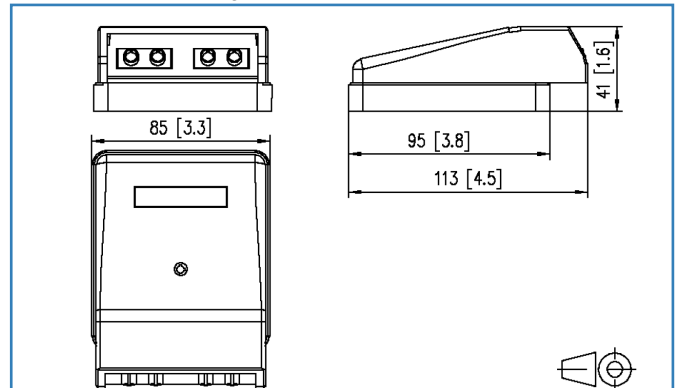
EAN 4250184107125

2017-27-02

Illustrations



Dimensional drawing



See enlarged drawings at the end of document

Product specification

- fiber optic termination unit for mounting in cable duct / surface mounting with fiber optic couplers
- unequipped for simplex or duplex couplers
- bending radius of approx. 30 mm is met due to integrated cable reservoir
- plug direction 10° downwards
- strain relief with cable ties possible
- with label window for enclosed identification labels
- suitable for preassembled cables and on-site assembly of plugs
- for mini breakout cables
- cover parts in pure white RAL 9010

matching couplers:

simplex

4x LC-D (SC simplex design)
4x SC simplex
4x ST
4x E2000 simplex
4x FC (ST design)

duplex

2x LC-Q
2x SC-D
2x SC-D/ST

OpDAT 4 AP unequipped simplex pure white

P/N

1501120002-E

EAN 4250184107125

2017-27-02

Illustrations

General Data

Fields of application	
Design	Wall outlet
Mounting style	surface mount
Color	pure white
Dimensions	
Dimension (L x W x H)	41.00 x 85.00 x 113.00 mm
Dimension (L x W x H)	1.614 x 3.346 x 4.449 in.
Labeling option	label window with identification label

Connections/interfaces

Number of ports interface 2	4
Number of ports interface 2 equipped	0
Module plug-in direction	10° downwards

Mechanical characteristics

Strain relief	cable tie
---------------	-----------

Materials and material properties

Material - Housing	Plastics
Material - Surface mount frame	ABS
Material - Cover part(s)	ABS
Material - Label window	ABS, transparent
Material - Dust protection	ABS

Approvals

RoHS	compliant
------	-----------

Classifications

ETIM 5.0	EC001409
ETIM 6.0	EC001409

Packing details

Type of packaging	1 pc(s) / box
Packaging unit - Weight (gram)	141.00 g
Packaging unit - Weight (pound)	0.31 lb

Technical Data

Packing details

Packaging dimension (W x H x D)	86.00 x 44.00 x 142.00 mm
Packaging dimension (W x H x D)	3.386 x 1.732 x 5.591 in.



Data sheet

Page 4/4

OpDAT 4 AP unequipped simplex pure white

P/N

1501120002-E

EAN 4250184107125

2017-27-02

Illustrations

Dimensional drawing

