

Data sheet

OpDAT 4 AP 4xST SM+MM (ceramic) pure white

Page 1/4

P/N

1501123102-E

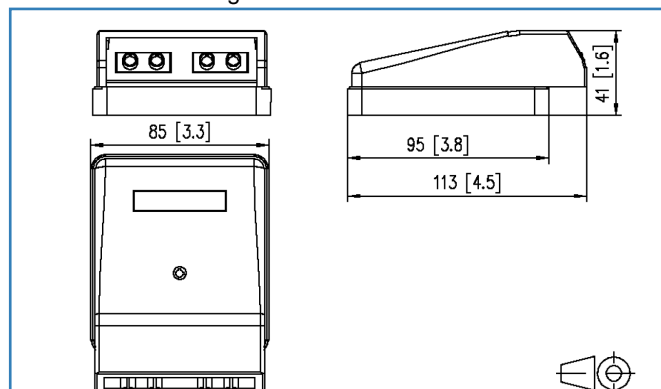
EAN 4250184111580

2018-30-01

Illustrations



Dimensional drawing



See enlarged drawings at the end of document

Product specification

- fiber optic termination unit for mounting in cable duct / surface mounting with fiber optic adapters
- equipped with 2 LC-D, 2 SC-D or 4 ST adapters
- bending radius of approx. 30 mm is met due to integrated cable reservoir
- plug direction 10° downwards
- strain relief with cable ties possible
- with label window for enclosed identification labels
- suitable for preassembled cables and on-site assembly of plugs
- for mini breakout cables
- cover parts in pure white RAL 9010
- variants: 2 LC-D, 2 SC-D, 4 ST

Technical Data

General Data

Fields of application	Office
Design	Wall outlet
Mounting style	surface mount
Transmission technology	Fiber optic
Color	pure white
Dimensions	
Dimension (L x W x H)	41.00 x 85.00 x 113.00 mm
Dimension (L x W x H)	1.614 x 3.346 x 4.449 in.
Mode type of the fiber	Singlemode + Multimode
Labeling option	label window with identification label

Connections/interfaces

Connector technology interface 1	ST
Connector technology interface 2	ST
Number of ports interface 1	4
Number of ports interface 2	4
Number of equipped ports interface 1	4
Number of ports interface 2 equipped	4
Number of ports with dust protection interface 2	4
Module plug-in direction	10° downwards

Mechanical characteristics

Cut-out	ST
Life - Number of mating cycles	min. 1000
strain relief	cable tie

Materials and material properties

Material - Housing	Plastics
Material - Surface mount frame	ABS
Material - Cover part(s)	ABS
Material - Label window	ABS, transparent
Material - Coupler housing	metal
Material - Sleeve	ceramic, slotted



OpDAT 4 AP 4xST SM+MM (ceramic) pure white

P/N

1501123102-E

EAN 4250184111580

2018-30-01

Technical Data

Certifications

RoHS	compliant
------	-----------

Classifications

ETIM 5.0	EC001409
----------	----------

ETIM 6.0	EC001409
----------	----------

Packing details

Type of packaging	1 pc(s) / box
-------------------	---------------

Packaging unit - Weight (gram)	168.00 g
--------------------------------	----------

Packaging unit - Weight (pound)	0.37 lb
---------------------------------	---------

Packaging dimension (W x H x D)	86.00 x 44.00 x 141.50 mm
---------------------------------	---------------------------

Packaging dimension (W x H x D)	3.386 x 1.732 x 5.571 in.
---------------------------------	---------------------------



Illustrations

Dimensional drawing

