

Data sheet

OpDAT 4 AP 2xLC-D OM4 (ceramic) pure white

Page 1/4

P/N

1501127502-E

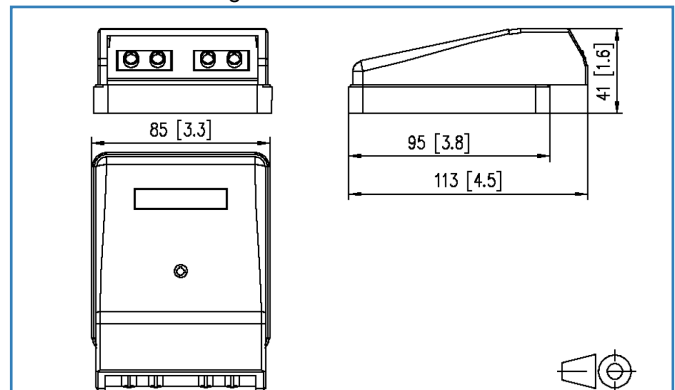
EAN 4251394609300

2018-13-03

Illustrations



Dimensional drawing



See enlarged drawings at the end of document

Product specification

- fiber optic termination unit for mounting in cable duct / surface mounting with fiber optic adapters
- equipped with 2 LC-D, 2 SC-D or 4 ST adapters
- bending radius of approx. 30 mm is met due to integrated cable reservoir
- plug direction 10° downwards
- strain relief with cable ties possible
- with label window for enclosed identification labels
- suitable for preassembled cables and on-site assembly of plugs
- for mini breakout cables
- cover parts in pure white RAL 9010
- variants: 2 LC-D, 2 SC-D, 4 ST

Technical Data

General Data

Fields of application	Office
Design	wall outlet
Mounting style	surface mount
Transmission technology	Fiber optic
Color	pure white
Dimensions	
Dimension (L x W x H)	41.00 x 85.00 x 113.00 mm
Dimension (L x W x H)	1.614 x 3.346 x 4.449 in.
Mode type of the fiber	Multimode
Fiber construction	50/125 µm
Labeling option	label window with identification label

Connections/interfaces

Connector technology interface 1	LC-D
Connector technology interface 2	LC-D
Number of ports interface 1	2
Number of ports interface 2	2
Number of equipped ports interface 1	2
Number of equipped ports interface 2	2
Number of ports with dust protection interface 2	2
Module plug-in direction	10° downwards

Mechanical characteristics

Cut-out	SC, LC-D, E2000
Connector type	Duplex
Life - Number of mating cycles	min. 1000
strain relief	cable tie

Materials and material properties

Material - Housing	Plastics
Material - Surface mount frame	ABS
Material - Cover part(s)	ABS
Material - Label window	ABS, transparent
Material - Coupler housing	Plastics

OpDAT 4 AP 2xLC-D OM4 (ceramic) pure white

P/N

1501127502-E

EAN 4251394609300

2018-13-03

Technical Data

Materials and material properties

Material - Sleeve ceramic, slotted

Certifications

RoHS compliant

The product meets the following standards

Fibre optic connector interfaces DIN EN 61754-20

Packing details

Type of packaging	1 pc(s) / box
Packaging unit - Weight (gram)	170.00 g
Packaging unit - Weight (pound)	0.37 lb
Packaging dimension (W x H x D)	86.00 x 44.00 x 141.50 mm
Packaging dimension (W x H x D)	3.386 x 1.732 x 5.571 in.



Data sheet

Page 4/4

OpDAT 4 AP 2xLC-D OM4 (ceramic) pure white

P/N

1501127502-E

EAN 4251394609300

2018-13-03

Illustrations

Dimensional drawing

