

Data sheet

OpDAT 4 AP 2xLC-D OM3 (ceramic) pure white

Page 1/4

P/N

1501127702-E

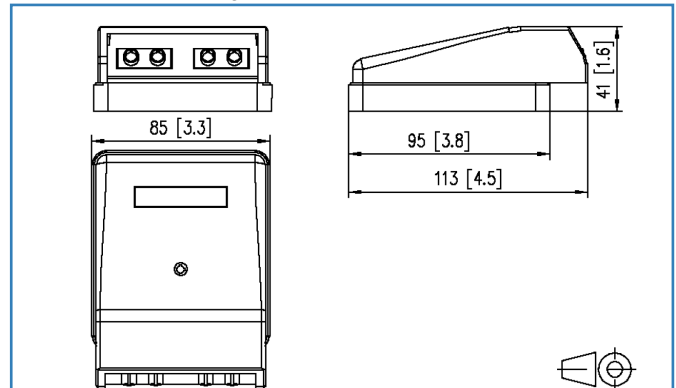
EAN 4251394609317

2018-13-03

Illustrations



Dimensional drawing



See enlarged drawings at the end of document

Product specification

- fiber optic termination unit for mounting in cable duct / surface mounting with fiber optic adapters
- equipped with 2 LC-D, 2 SC-D or 4 ST adapters
- bending radius of approx. 30 mm is met due to integrated cable reservoir
- plug direction 10° downwards
- strain relief with cable ties possible
- with label window for enclosed identification labels
- suitable for preassembled cables and on-site assembly of plugs
- for mini breakout cables
- cover parts in pure white RAL 9010
- variants: 2 LC-D, 2 SC-D, 4 ST

Technical Data

General Data

| | |
|-------------------------|--|
| Fields of application | Office |
| Design | wall outlet |
| Mounting style | surface mount |
| Transmission technology | Fiber optic |
| Color | pure white |
| Dimensions | |
| Dimension (L x W x H) | 41.00 x 85.00 x 113.00 mm |
| Dimension (L x W x H) | 1.614 x 3.346 x 4.449 in. |
| Mode type of the fiber | Multimode |
| Fiber construction | 50/125 µm |
| Labeling option | label window with identification label |

Connections/interfaces

| | |
|--|---------------|
| Connector technology interface 1 | LC-D |
| Connector technology interface 2 | LC-D |
| Number of ports interface 1 | 2 |
| Number of ports interface 2 | 2 |
| Number of equipped ports interface 1 | 2 |
| Number of equipped ports interface 2 | 2 |
| Number of ports with dust protection interface 2 | 2 |
| Module plug-in direction | 10° downwards |

Mechanical characteristics

| | |
|--------------------------------|-----------------|
| Cut-out | SC, LC-D, E2000 |
| Connector type | Duplex |
| Life - Number of mating cycles | min. 1000 |
| strain relief | cable tie |

Materials and material properties

| | |
|--------------------------------|------------------|
| Material - Housing | Plastics |
| Material - Surface mount frame | ABS |
| Material - Cover part(s) | ABS |
| Material - Label window | ABS, transparent |
| Material - Coupler housing | Plastics |

OpDAT 4 AP 2xLC-D OM3 (ceramic) pure white

P/N

1501127702-E

EAN 4251394609317

2018-13-03

Technical Data

Materials and material properties

Material - Sleeve ceramic, slotted

Certifications

RoHS compliant

The product meets the following standards

Fibre optic connector interfaces DIN EN 61754-20

Packing details

| | |
|---------------------------------|---------------------------|
| Type of packaging | 1 pc(s) / box |
| Packaging unit - Weight (gram) | 170.00 g |
| Packaging unit - Weight (pound) | 0.37 lb |
| Packaging dimension (W x H x D) | 86.00 x 44.00 x 141.50 mm |
| Packaging dimension (W x H x D) | 3.386 x 1.732 x 5.571 in. |



Data sheet

OpDAT 4 AP 2xLC-D OM3 (ceramic) pure white

Page 4/4

P/N

1501127702-E

EAN 4251394609317

2018-13-03

Illustrations

Dimensional drawing

