

Data sheet

OpDAT ADT splice 2xSC APC (ceramic, green) with laser protection, pigtails OS2 placed and stripped

Page 1/5

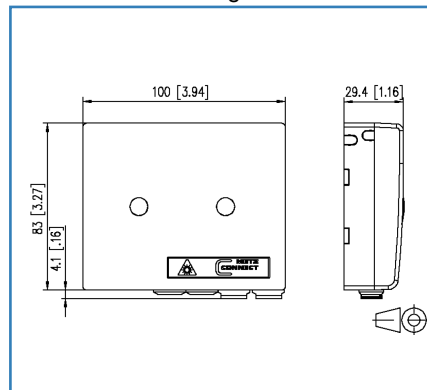
P/N
1501191H02HS
EAN 4251394601625

2018-31-01

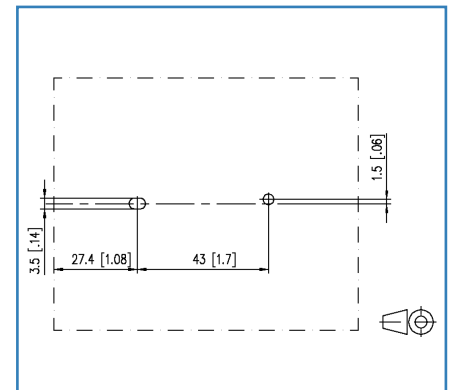
Illustrations



Dimensional drawing



Cut-out



See enlarged drawings at the end of document

Product specification

- Compact, universal fiber optic connection unit to mount at flush-mount or cavity wall outlets, for surface or rail mounting
- Equipped with adapters with laser shutter and single mode pigtails to splice at FITH cables with single mode fibers
- Pigtails with single mode fiber OS2, E9/125 µm bend insensitive according to IEC 60793-2-50 Type B6_a and B6_b and G.657.A2 and B2 compatible to G.652.D
- Unused cutout are closed by blind plugs
- Cable entry possibilities: from the back, top, bottom, left or right
- With integrated clips for rail mounting in two directions
- Swiveling, removable splice tray for 4x shrink splice protections
- Cover can be removed without tool
- Plug direction 90°
- Color of the cover parts: pure white RAL 9010
- Fastening material and 4x shrink splice protection are included in delivery
- Variants: equipped with 2 or 4 adapters, with 2 blind plugs or without, with 2 or 4 pigtails



OpDAT ADT splice 2xSC APC (ceramic, green) with laser protection, pigtails OS2 placed and stripped

P/N
1501191H02HS
EAN 4251394601625

2018-31-01

Technical Data

General Data

Design	Wall outlet
Mounting style	AP, Tragschiene TH35
Transmission technology	Fiber optic
Color	white
Dimensions	
Dimension (L x W x H)	29.40 x 100.00 x 87.10 mm
Dimension (L x W x H)	1.157 x 3.937 x 3.429 in.
Cable Type	pigtail(s)
Mode type of the fiber	Single mode
Fiber class	OS2: IEC 60793-2-50 B6_a, B6_b & ITU-T G.657.A2, G.657.B2, G.652.D
Shape	APC (Angled Physical Contact)
Fiber construction	9/125 µm

Connections/interfaces

Connector technology interface 1	SC
Connector technology interface 2	SC
Number of ports interface 1	4
Number of ports interface 2	4
Number of equipped ports interface 1	2
Number of ports interface 2 equipped	2
Number of blind covers interface 2	2
Cable access/outlet	hinten, oben, unten, links oder rechts

Mechanical characteristics

Life - Number of mating cycles	min. 1000
--------------------------------	-----------

Materials and material properties

Material - Housing	ABS + PC
Material - Coupler housing	Plastics
Material - Sleeve	ceramic, slotted

Data sheet

Page 3/5

OpDAT ADT splice 2xSC APC (ceramic, green) with laser protection, pigtails OS2 placed and stripped

P/N
1501191H02HS
EAN 4251394601625

2018-31-01

Technical Data

Certifications

RoHS compliant

The product meets the following standards

Generic cabling systems	
General requirements	ISO/IEC 11801-1
Fibre optic connector interfaces	
Lichtwellenleiter: LWL-Innenkabel	DIN EN 61754-4
Sectional specification for class B single-mode fibres	ISO/IEC 60793-2-50 type B6_a/B6_b
ITU-T standard	ITU-T G.657.A2 and G.657.B2, compatible with ITU-T G.652.D

Packing details

Type of packaging	1 box
Packaging dimension (W x H x D)	133.00 x 95.00 x 52.00 mm
Packaging dimension (W x H x D)	5.236 x 3.74 x 2.047 in.



Data sheet

Page 4/5

OpDAT ADT splice 2xSC APC (ceramic, green) with laser protection, pigtails OS2 placed and stripped

P/N
1501191H02HS
EAN 4251394601625

2018-31-01

Accessories

P/N	Designation
1509001H-I	OpDAT SC APC adapter OS2 (green) with shutter



Data sheet

Page 5/5

**OpDAT ADT splice 2xSC APC (ceramic, green)
with laser protection, pigtails OS2 placed and stripped**

P/N

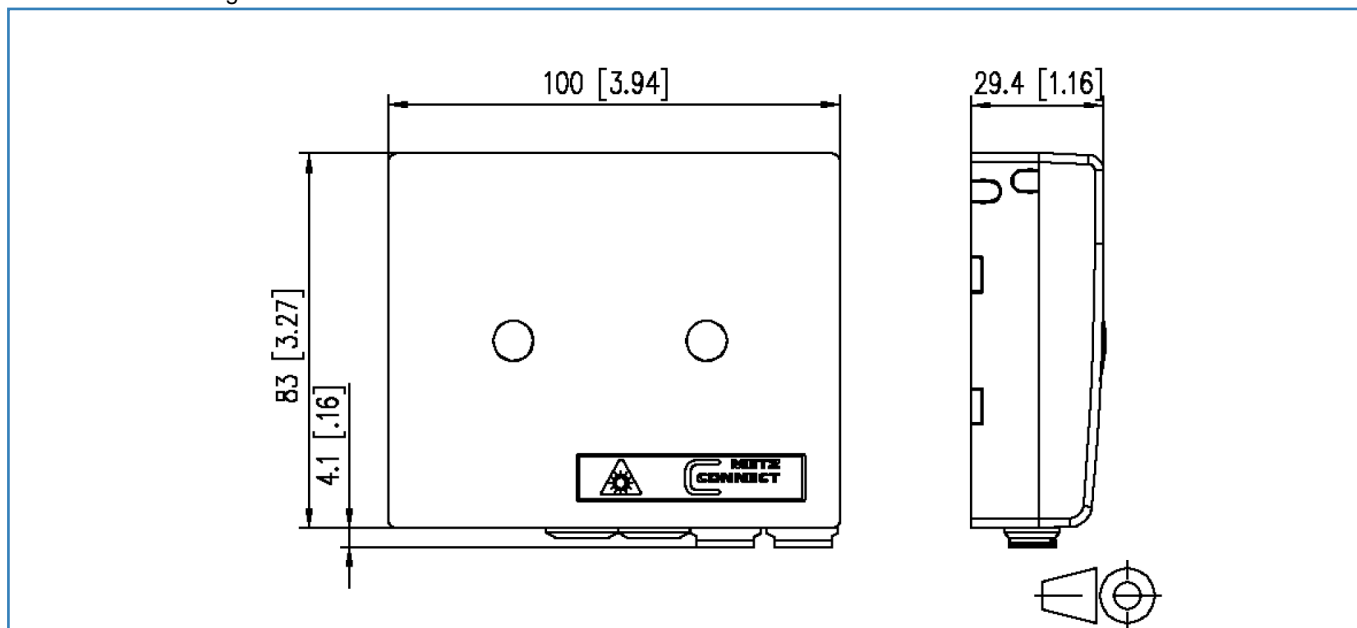
1501191H02HS

EAN 4251394601625

2018-31-01

Illustrations

Dimensional drawing



Cut-out

