

Data sheet

OpDAT Wall-mounted distributor S 24xLC-D (ceramic, aqua) pigtailes OM3 placed and stripped

Page 1/5

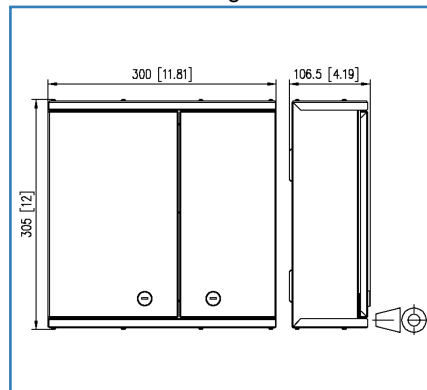
P/N
1503257724-E
EAN 4251122197994

2018-13-03

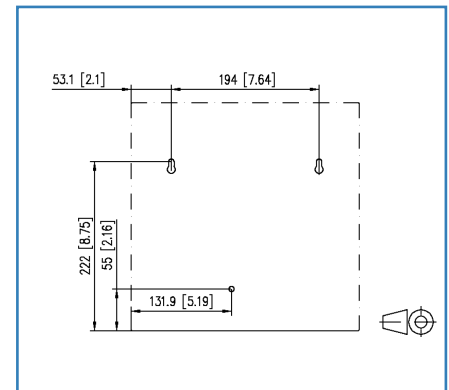
Illustrations



Dimensional drawing



Cut-out



See enlarged drawings at the end of document

Product specification

- Distributor for universal use in floor cabling or as a building distribution point in the equipment room
- Equipped with LC-D adapters and LC pigtailes
- Pigtailes inserted and stripped in crimp splice holders in standard splice trays
- Unused openings are closed by blind plugs
- Wall-mount housing with two lockable swing doors, two different locks to separate network and building cabling
- Easy, space saving wall mounting
- Easy access possibilities and a secure routing of the pigtailes
- Four cable infeeds (scope of supply): 2x for M20/PG16, 2x for patch cords
- Variants: size S: 305x300x107 mm or size M: 405x400x107 mm
- Variants: equipped with up to 48 LC-D adapters and up to 96 pigtailes each in blue (OS2), lime green (OM5), violet (OM4), aqua (OM3) or with LC-D APC adapters and pigtailes each in green (OS2)



Data sheet

Page 2/5

OpDAT Wall-mounted distributor S 24xLC-D (ceramic, aqua) pigtails OM3 placed and stripped

P/N

1503257724-E

EAN 4251122197994

2018-13-03

Technical Data

General Data

Fields of application	Structured building cabling, Office Data center
Design	Wall-mounted distributor
Mounting style	surface mount
Transmission technology	Fiber optic
Port numbering	yes
Color	aqua
Dimensions	
Dimension (L x W x H)	106.50 x 300.00 x 305.00 mm
Dimension (L x W x H)	4.193 x 11.811 x 12.008 in.
Number of cables/ cores	48
Cable Type	pigtail(s)
Fiber class	OM3: ISO/IEC 11801/EN 50173 & IEC 60793-2-10/EN 60793-2-10 A1.a.2
Mode type of the fiber	Multimode
Fiber construction	50/125 µm
Labeling option	printed numbers

Connections/interfaces

Connector technology interface 1	LC-D Couplers
Connector technology interface 2	LC-D Couplers
Number of ports interface 1	24
Number of ports interface 2	24
Number of equipped ports interface 1	24
Number of equipped ports interface 2	24
Number of ports with dust protection interface 1	24
Number of ports with dust protection interface 2	24
Cable access/outlet	oben oder unten

Approvals

RoHS	compliant
------	-----------

Data sheet

Page 3/5

**OpDAT Wall-mounted distributor S 24xLC-D (ceramic, aqua)
pigtails OM3 placed and stripped**

P/N

1503257724-E

EAN 4251122197994

2018-13-03

Technical Data**The product meets the following standards**

Fibre optic connector interfaces	DIN EN 61754-20
----------------------------------	-----------------

Packing details

Type of packaging	1 pc(s) / box
Packaging dimension (W x H x D)	330.00 x 320.00 x 125.00 mm
Packaging dimension (W x H x D)	12.992 x 12.598 x 4.921 in.



Data sheet

Page 4/5

OpDAT Wall-mounted distributor S 24xLC-D (ceramic, aqua) pigtailes OM3 placed and stripped

P/N

1503257724-E

EAN 4251122197994

2018-13-03

Accessories

P/N	Designation
15090401-I	OpDAT crimp splice protection (150 pcs)
15090401-E	OpDAT crimp splice protection (12 pcs)
15081106-E	OpDAT mounting plate VIK
150811P1613-E	Thread reducer PG16 to PG13.5
15032Z001-E	Cable infeed for 2xM20 for OpDAT Wall-mounted distributor S
15032Z004-E	Cable infeed for two mounting plates VIK for OpDAT Wall-mounted distributor S
15032Z005-E	Cable infeed for patch cords VIK for OpDAT Wall-mounted distributor S
150811M20-E	Cable gland M20 (Clamping range 7 to 12 mm)
150811M25-E	Cable gland M25
15032Z003-E	Cable infeed for 1xM25 for OpDAT Wall-mounted distributor S



Data sheet

Page 5/5

**OpDAT Wall-mounted distributor S 24xLC-D (ceramic, aqua)
pigtailes OM3 placed and stripped**

P/N

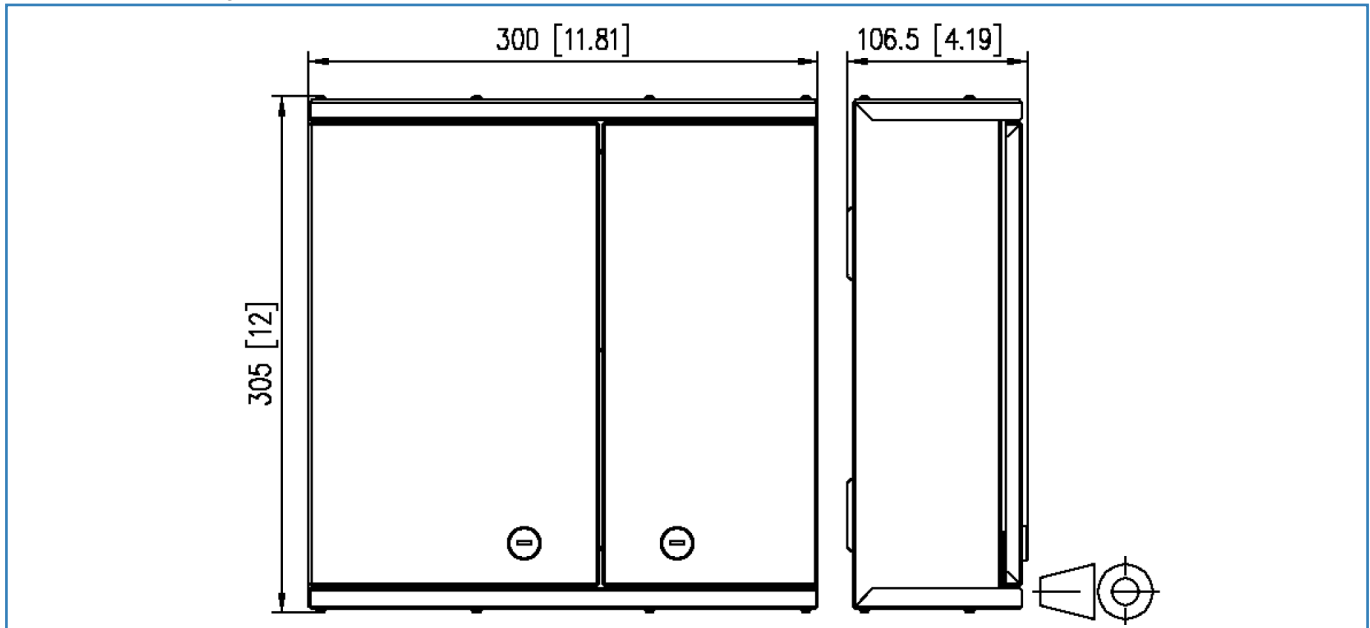
1503257724-E

EAN 4251122197994

2018-13-03

Illustrations

Dimensional drawing



Cut-out

