

Data sheet

**OpDAT Wall-mounted distributor S 24xLC-D APC (ceramic, green)
pigtailes OS2 placed and stripped**

Page 1/8

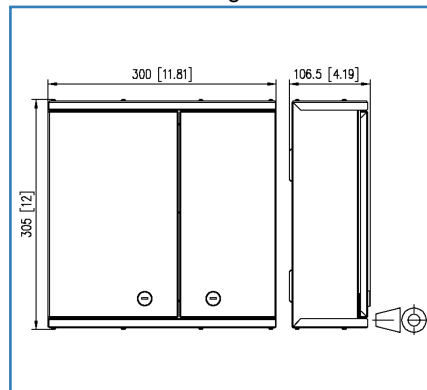
P/N
1503297624-E
EAN 4251122198045

2018-05-01

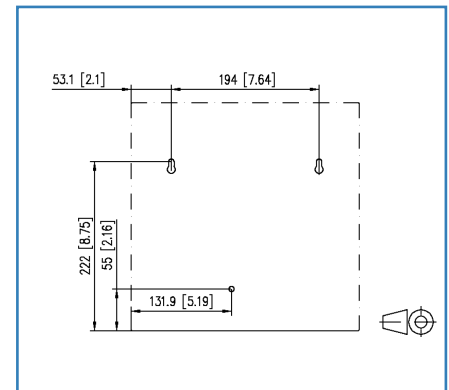
Illustrations



Dimensional drawing



Cut-out



See enlarged drawings at the end of document

Product specification

- Distributor for universal use in floor cabling or as a building distribution point in the equipment room
- Equipped with LC-D adapters and LC pigtailes
- Pigtailes inserted and stripped in crimp splice holders in standard splice trays
- Unused openings are closed by blind plugs
- Wall-mount housing with two lockable swing doors, two different locks to separate network and building cabling
- Easy, space saving wall mounting
- Easy access possibilities and a secure routing of the pigtailes
- Flexible cable insertion possible from top or bottom by cable entries in different shapes (see accessories)
- Variants: size S: 305x300x107 mm or size M: 405x400x107 mm
- Variants: equipped with up to 48 LC-D adapters and up to 96 pigtailes each in blue (OS2), lime green (OM5), violet (OM4), aqua (OM3) or with LC-D APC adapters and pigtailes each in green (OS2)

Data sheet

Page 2/8

OpDAT Wall-mounted distributor S 24xLC-D APC (ceramic, green) pigtailed OS2 placed and stripped

P/N

1503297624-E

EAN 4251122198045

2018-05-01

Technical Data

General Data

Design	Wall-mounted distributor
Mounting style	surface mount
Transmission technology	Fiber optic
Port numbering	yes
Color	green
Dimensions	
Dimension (L x W x H)	106.50 x 300.00 x 305.00 mm
Dimension (L x W x H)	4.193 x 11.811 x 12.008 in.
Number of cables/ cores	48
Cable Type	pigtail(s)
Fiber class	OS2 (IEC 60793-2-50 B6_a, B6_b & ITU-T G.657.A2, G.657.B2, G.652.D)
Mode type of the fiber	Single mode
Shape	APC (Angled Physical Contact)
Fiber construction	9/125 µm
Labeling option	printed numbers

Connections/interfaces

Connector technology interface 1	LC-D Couplers
Connector technology interface 2	LC-D Couplers
Number of ports interface 1	24
Number of ports interface 2	24
Number of equipped ports interface 1	24
Number of ports interface 2 equipped	24
Number of ports with dust protection interface 1	24
Number of ports with dust protection interface 2	24
Cable access/outlet	oben oder unten

Approvals

RoHS	compliant
------	-----------

The product meets the following standards

Fibre optic connector interfaces	DIN EN 61754-20
ITU-T standard	ITU-T G.657.A2 and G.657.B2, compatible with ITU-T G.652.D

Data sheet

Page 3/8

OpDAT Wall-mounted distributor S 24xLC-D APC (ceramic, green) pigtailes OS2 placed and stripped

P/N

1503297624-E

EAN 4251122198045

2018-05-01

Technical Data

Packing details

Type of packaging	1 pc(s) / box
Packaging dimension (W x H x D)	330.00 x 320.00 x 125.00 mm



Data sheet

Page 4/8

OpDAT Wall-mounted distributor S 24xLC-D APC (ceramic, green) pigtailes OS2 placed and stripped

P/N

1503297624-E

EAN 4251122198045

2018-05-01

Accessories

P/N	Designation
15090401-I	OpDAT crimp splice protection (150 pcs)
15090401-E	OpDAT crimp splice protection (12 pcs)
15081106-E	OpDAT mounting plate VIK
150811P1613-E	Thread reducer PG16 to PG13.5
15032Z001-E	Cable infeed for 2xM20 for OpDAT Wall-mounted distributor S
15032Z004-E	Cable infeed for two mounting plates VIK for OpDAT Wall-mounted distributor S
15032Z005-E	Cable infeed for patch cords VIK for OpDAT Wall-mounted distributor S
150811M20-E	Cable gland M20 (Clamping range 7 to 12 mm)
150811M25-E	Cable gland M25
15032Z003-E	Cable infeed for 1xM25 for OpDAT Wall-mounted distributor S



Data sheet

Page 5/8

**OpDAT Wall-mounted distributor S 24xLC-D APC (ceramic, green)
pigtailed OS2 placed and stripped**

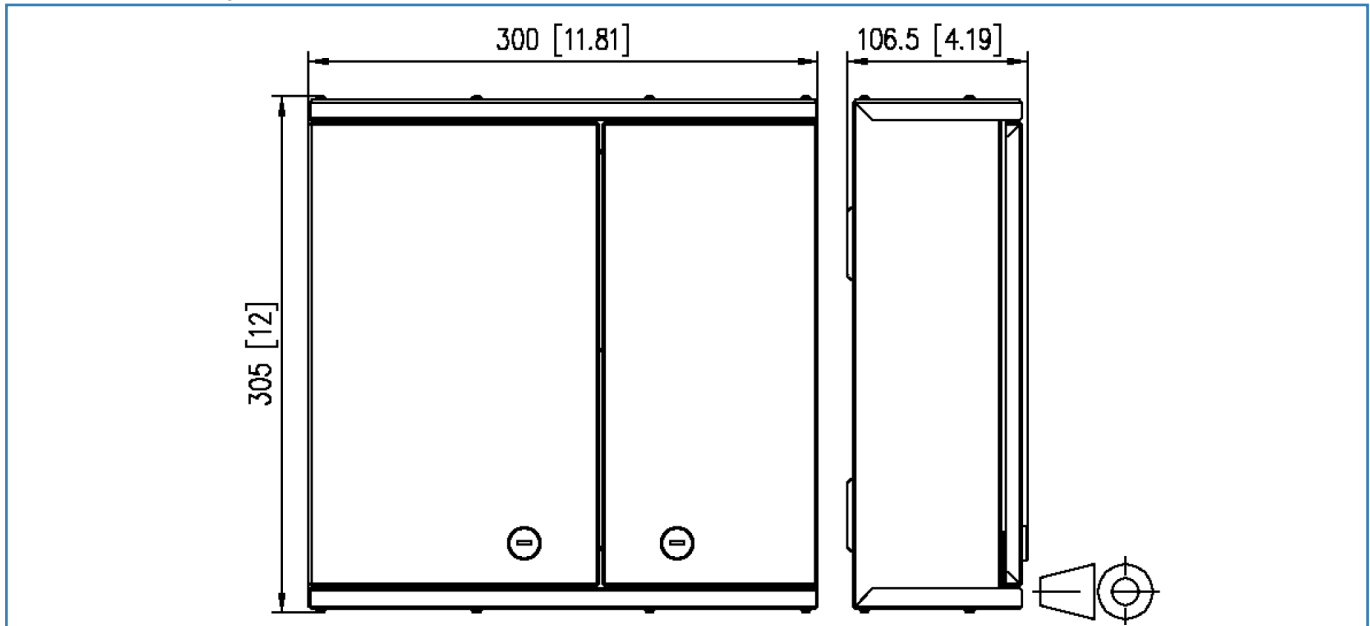
P/N
1503297624-E

EAN 4251122198045

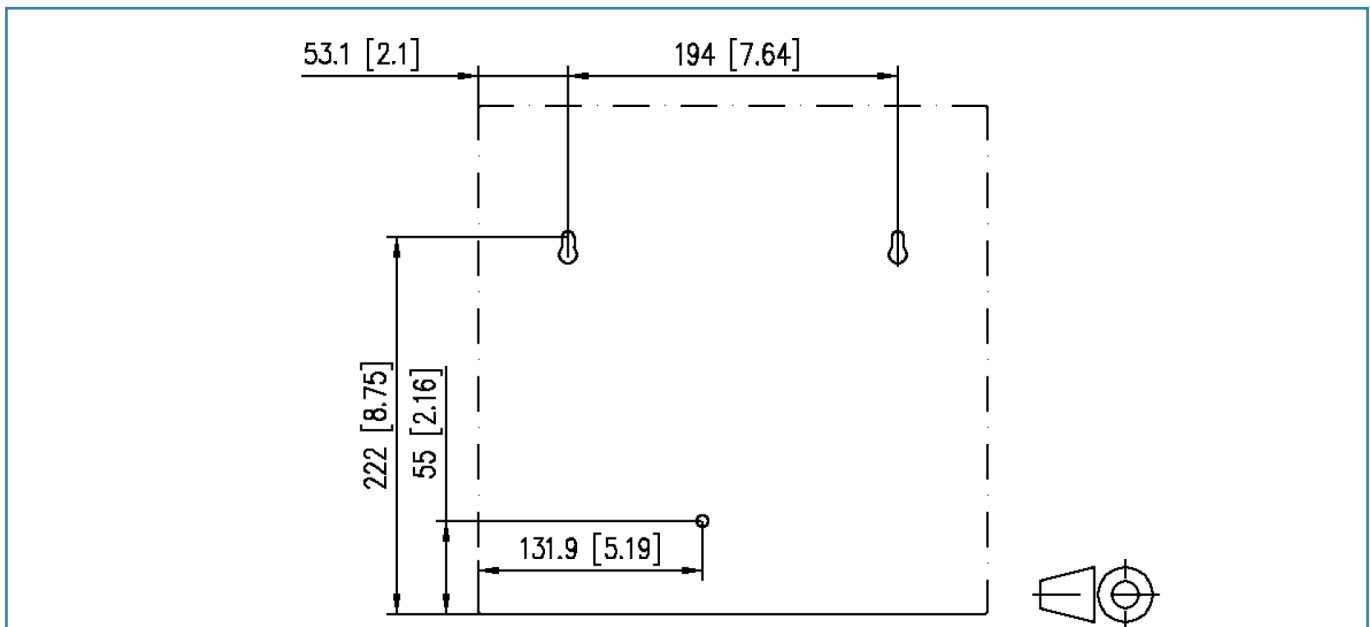
2018-05-01

Illustrations

Dimensional drawing



Cut-out



Technical Data

General Data

Transmission technology	Fiber optic
Mode type of the fiber	Single mode
Fiber class	OS2 (IEC 60793-2-50 B.1.3, B6_b & ITU-T G.657.A2, G.657.B2, G.652.D)
Fiber construction	9/125 µm

Transmission characteristics

Chromatic dispersion coefficient	
Chromatic dispersion coefficient - In the interval 1285 nm - 1330 nm (max.)	max. 3.7 ps/km * nm
Chromatic dispersion coefficient - At 1550 nm (max.)	max. 18.5 ps/km * nm
Chromatic dispersion coefficient - At 1625 nm (max.)	max. 23.0 ps/km * nm
Dispersionsnulldurchgang, λ_{D0}	1300-1324 nm
Zero dispersion slope (max.)	0.092 ps/(nm ² * km)
Polarisation mode dispersion (PMD) coefficient, cabled (min.)	0.1
PMDQ Link Design Value (min.)	0.06 ps/vkm
Threshold wavelength (max.)	1260

Connections/interfaces

Connector technology interface 1	Free line end
Connector technology interface 2	Free line end
Core-/ Fiber cladding diameter	125.0 ± 0.7 µm
Primary coating diameter - colored	242 ± 7 µm

Optical characteristics

Attenuation of the fiber	
Attenuation of the fiber in the cable at 1310 nm	max. 0.38 dB/km
Attenuation of the fiber in the cable at 1383 nm	max. 0.38 dB/km
Attenuation of the fiber in the cable at 1550 nm	max. 0.23 dB/km
Attenuation of the fiber in the cable at 1625 nm	max. 0.25 dB/km

Mechanical characteristics

Proof stress level	min. 0.7 (~ 1 %) GPa
Strip force (peak)	1.2 ≤ F _{peak.strip} ≤ 8.9 N
10 turns on a mandrel R= 15 mm, @ 1550 nm	0.03 dB

Technical Data

Mechanical characteristics

10 turns on a mandrel R= 15 mm, @ 1625 nm	0.1 dB
1 turn on a mandrel R= 10 mm, @ 1550 nm	0.1 dB
1 turn on a mandrel R= 10 mm, @ 1625 nm	0.2 dB
1 turn on a mandrel R= 7.5 mm, @ 1550 nm	0.5 dB
1 turn on a mandrel R= 7.5 mm, @ 1625 nm	1.0 dB
Fiber cladding non-circularity	max. 0.7 %
Core (MDF)-cladding concentricity error	max. 0.5 µm
Primary coating concentricity error	max. 5 %
Primary coating-cladding concentricity error	max. 12
Inhomogeneity of OTDR measurement report at 1310 nm und 1550 nm	max. 0.1 dB/km
Group refractive index	
Group refractive index at 1310 nm	1.467
Group refractive index at 1550 nm and 1625 nm	1.468

The product meets the following standards

Generic cabling systems	
General requirements	ISO/IEC 11801 DIN EN 50173-1 : 2007 cat. OS2
Optical fibers: Measuring methods and test procedures	
Fibre geometry	ISO/IEC 60793-1-20
Coating geometry	ISO/IEC 60793-1-21
Length measurement	ISO/IEC 60793-1-22
Fibre proof test	ISO/IEC 60793-1-30
Coating strippability	ISO/IEC 60793-1-32
Attenuation	ISO/IEC 60793-1-40
Chromatic dispersion	ISO/IEC 60793-1-42
Threshold wavelength	ISO/IEC 60793-1-44
Mode field diameter	ISO/IEC 60793-1-45
Macrobending loss	ISO/IEC 60793-1-47
Polarization mode dispersion	ISO/IEC 60793-1-48
Optical fibers: Indoor optical cables	
Sectional specification for class B single-mode fibres	ISO/IEC 60793-2-50 type B6_a/B6_b

Technical Data

The product meets the following standards

Optical fibers: Outdoor optical fibre cables

Outdoor cables

ISO/IEC 60794-3

ITU-T standard

G.657.A2, G.652.B2, G.652.A, B, C, D

