

## Data sheet

### OpDAT HP 6xLC-D APC (green) OS2 VIK, with lock, size S

Page 1/4

P/N

1503507606-F

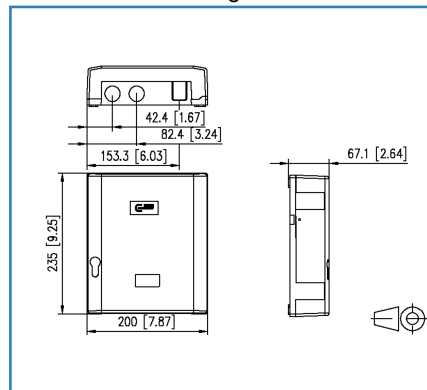
EAN 4251394602738

2018-03-01

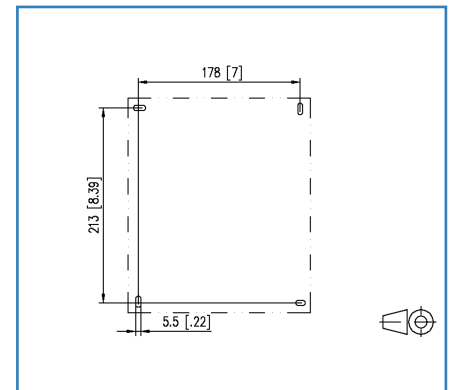
## Illustrations



Dimensional drawing



Cut-out



See enlarged drawings at the end of document

## Product specification

- Fiber optic splice and distributor housing to be used as building transition point
- Equipped with LC-D adapters
- Accepts max. 12 pigtailed or 2 VIKs
- Cover locking by locking latch, can be sealed
- Cover can be very easily removed to facilitate mounting
- Splice tray for easy mounting and maintenance with a maximum of protection of the fibers with fiber transposition option and place to store fiber excess lengths
- Available with or without lock
- Strain relief for cables and patch cords
- With mounting and fastening option for gas and/or water blockers
- Patch cord output with flexible lamella seal
- Two cable entries for M20/25, one M20 cable gland included
- Fastening option for optical couplers
- Structured ASA (acrylic ester-styrene-acrylonitrile) in RAL 7035, extremely resistant plastic material, impact resistant and weatherproof
- Protection class according to IEC 60529: IP54
- Variants: equipped with up to 6 LC-D adapters, each in blue (OS2) or LC-D APC adapters, each in green (OS2)



### Technical Data

#### General Data

Color	green
Dimensions	
Dimension (L x W x H)	67.10 x 200.00 x 235.00 mm
Fiber class	OS2: IEC 60793-2-50 B6_a, B6_b & ITU-T G.657.A2, G.657.B2, G.652.D
Mode type of the fiber	Single mode
Shape	APC (Angled Physical Contact)
Fiber construction	9/125 µm

#### Connections/interfaces

Connector technology interface 1	LC-D Couplers
Connector technology interface 2	LC-D Couplers
Number of ports interface 1	6
Number of ports interface 2	6
Number of equipped ports interface 1	6
Number of ports interface 2 equipped	6
Number of ports with dust protection interface 1	6
Number of ports with dust protection interface 2	6

#### Mechanical characteristics

strain relief	yes
---------------	-----

#### Materials and material properties

Material - Housing	Plastics
Material - Sleeve	ceramic, slotted
Material - Coupler housing	Plastics

#### Approvals

RoHS	compliant
------	-----------

#### The product meets the following standards

Fibre optic connector interfaces	DIN EN 61754-20
----------------------------------	-----------------



Data sheet

Page 3/4

**OpDAT HP 6xLC-D APC (green) OS2 VIK, with lock, size S**

P/N

1503507606-F

EAN 4251394602738

2018-03-01

## Technical Data

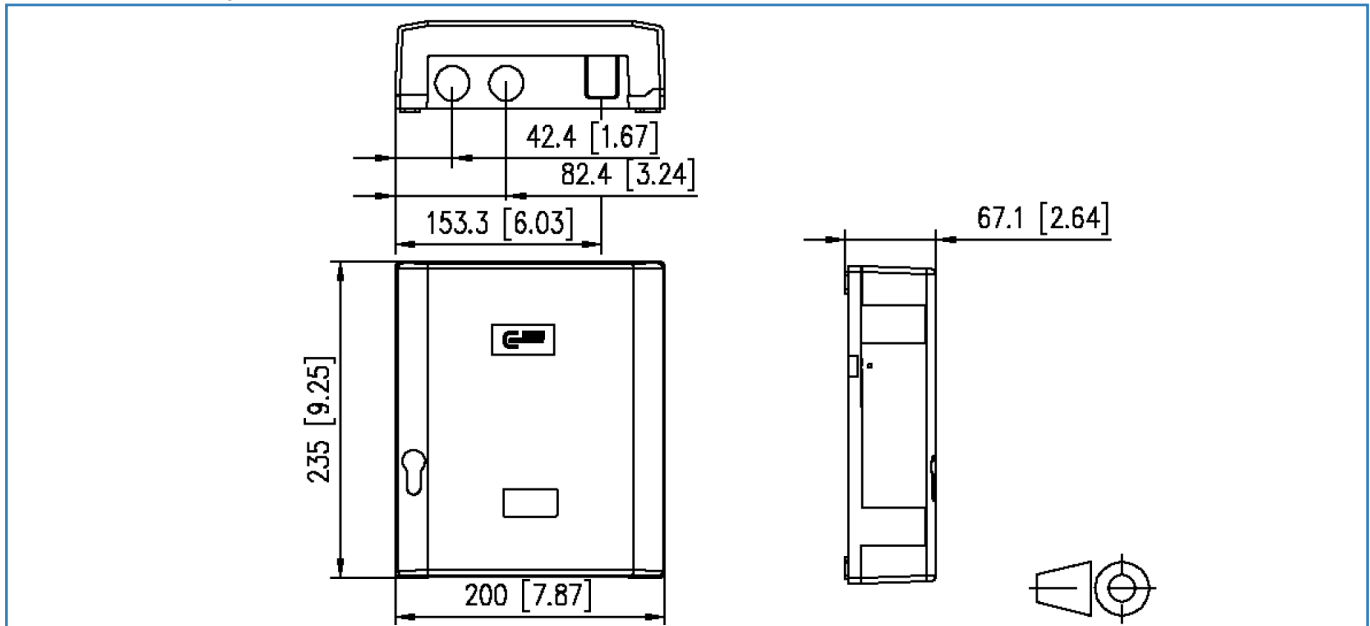
### Packing details

Type of packaging	1 pc(s) / box
-------------------	---------------



### Illustrations

Dimensional drawing



Cut-out

