

Data sheet

OpDAT HP 6xLC-D APC (green) OS2 splice, with lock, size S

Page 1/4

P/N

1503597606-F

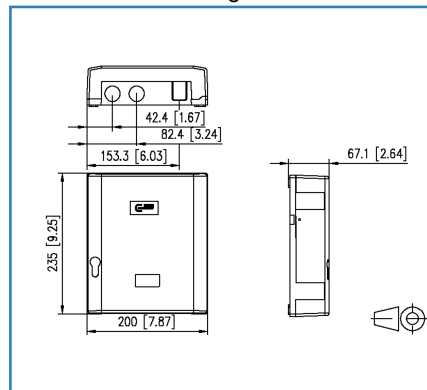
EAN 4251394602653

2018-03-01

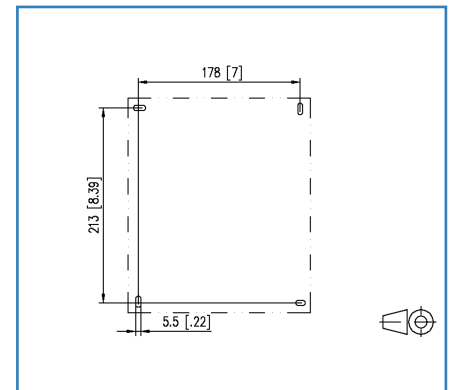
Illustrations



Dimensional drawing



Cut-out



See enlarged drawings at the end of document

Product specification

- Fiber optic splice and distributor housing to be used as building transition point
- Equipped with LC-D adapters and LC pigtails
- Cover locking by locking latch, can be sealed
- Cover can be very easily removed to facilitate mounting
- Splice tray for easy mounting and maintenance with a maximum of protection of the fibers with fiber transposition option and place to store fiber excess lengths
- Available with or without lock
- Strain relief for cables and patch cords
- With mounting and fastening option for gas and/or water blockers
- Patch cord output with flexible lamella seal
- Two cable entries for M20/25, one M20 cable gland included
- Fastening option for optical couplers
- Structured ASA (acrylic ester-styrene-acrylonitrile) in RAL 7035, extremely resistant plastic material, impact resistant and weatherproof
- Protection class according to IEC 60529: IP54
- Variants: equipped with up to 6 LC-D adapters and up to 12 LC pigtails, each in blue (OS2) or LC-D APC, each in green (OS2)



Technical Data

General Data

| | |
|-------------------------|--|
| Transmission technology | Fiber optic |
| Color | green |
| Dimensions | |
| Dimension (L x W x H) | 67.10 x 200.00 x 235.00 mm |
| Number of cables/ cores | 12 |
| Cable Type | pigtail(s) |
| Fiber class | OS2: IEC 60793-2-50 B6_a, B6_b & ITU-T G.657.A2, G.657.B2, G.652.D |
| Mode type of the fiber | Single mode |
| Shape | APC (Angled Physical Contact) |
| Fiber construction | 9/125 µm |

Connections/interfaces

| | |
|--|---------------|
| Connector technology interface 1 | LC-D Couplers |
| Connector technology interface 2 | LC-D Couplers |
| Number of ports interface 1 | 6 |
| Number of ports interface 2 | 6 |
| Number of equipped ports interface 1 | 6 |
| Number of ports interface 2 equipped | 6 |
| Number of ports with dust protection interface 2 | 6 |

Optical characteristics

| | |
|----------------|-------------|
| Insertion loss | max. 0.3 dB |
| Return loss | min. 65 dB |

Mechanical characteristics

| | |
|--------------------------------|-----------|
| Life - Number of mating cycles | min. 1000 |
| strain relief | yes |

Materials and material properties

| | |
|----------------------------|------------------|
| Material - Housing | Plastics |
| Material - Sleeve | ceramic, slotted |
| Material - Coupler housing | Plastics |



Technical Data

Approvals

RoHS compliant

The product meets the following standards

| | |
|--|--|
| Fibre optic connector interfaces | DIN EN 61754-20 |
| Optical fibers: Indoor optical cables | |
| Sectional specification for class B single-mode fibres | ISO/IEC 60793-2-50 type B6_a/B6_b |
| Optical fibers - Interconnecting devices and passive components - basic test and measuring methods | |
| Fibre optic interconnecting devices and passive components | IEC 61300-3-4 |
| Fibre optic interconnecting devices and passive components | IEC 61300-3-6 |
| Fibre optic interconnecting devices and passive components | IEC 61300-3-35 |
| Standard colours for insulation for low-frequency cables & wires | IEC 60304 |
| ITU-T standard | ITU-T G.657.A2 and G.657.B2, compatible with ITU-T G.652.D |

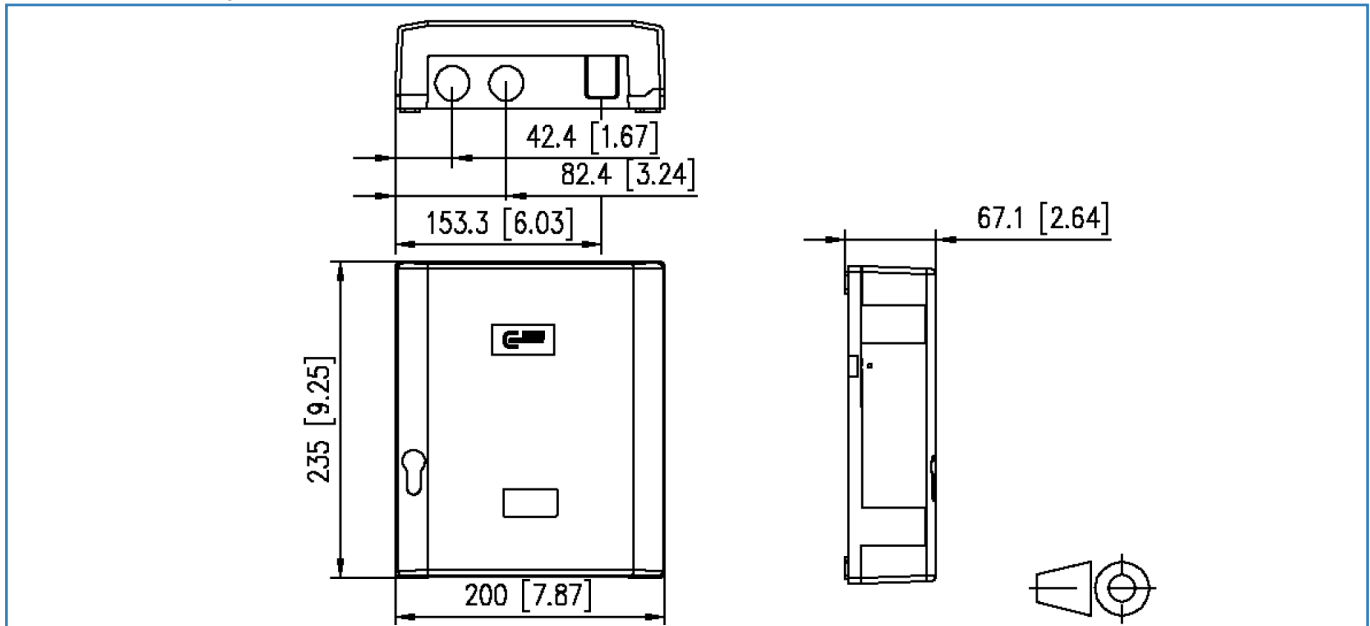
Packing details

Type of packaging 1 pc(s) / box



Illustrations

Dimensional drawing



Cut-out

