

Data sheet

OpDAT HP 6xSC-D (blue) OS2 splice, without lock, size S

Page 1/4

P/N

150359E206-E

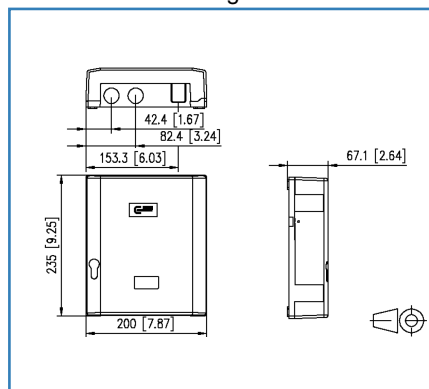
EAN 4251394602585

2018-03-01

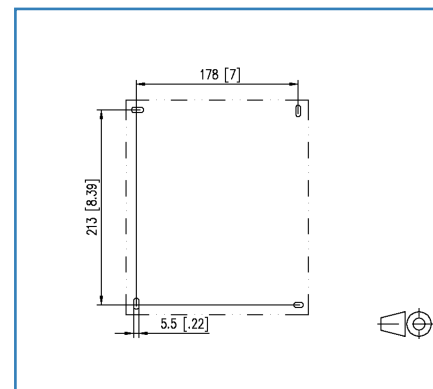
Illustrations



Dimensional drawing



Cut-out



See enlarged drawings at the end of document

Product specification

- Fiber optic splice and distributor housing to be used as building transition point
- Equipped with SC-D adapters and SC pigtails
- Cover locking by locking latch, can be sealed
- Cover can be very easily removed to facilitate mounting
- Splice tray for easy mounting and maintenance with a maximum of protection of the fibers with fiber transposition option and place to store fiber excess lengths
- Available with or without lock
- Strain relief for cables and patch cords
- With mounting and fastening option for gas and/or water blockers
- Patch cord output with flexible lamella seal
- Two cable entries for M20/25, one M20 cable gland included
- Fastening option for optical couplers
- Structured ASA (acrylic ester-styrene-acrylonitrile) in RAL 7035, extremely resistant plastic material, impact resistant and weatherproof
- Protection class according to IEC 60529: IP54
- Variants: equipped with up to 6 SC-D adapters and up to 12 SC pigtails, each in blue (OS2) or SC-D APC adapters in green (OS2)



Technical Data

General Data

Transmission technology	Fiber optic
Color	blue
Dimensions	
Dimension (L x W x H)	67.10 x 200.00 x 235.00 mm
Number of cables/ cores	12
Cable Type	pigtail(s)
Fiber class	OS2: IEC 60793-2-50 B6_a, B6_b & ITU-T G.657.A2, G.657.B2, G.652.D
Mode type of the fiber	Single mode
Shape	APC (Angled Physical Contact)
Fiber construction	9/125 µm

Connections/interfaces

Connector technology interface 1	SC-D Couplers
Connector technology interface 2	SC-D Couplers
Number of ports interface 1	6
Number of ports interface 2	6
Number of equipped ports interface 1	6
Number of ports interface 2 equipped	6
Number of ports with dust protection interface 2	6

Optical characteristics

Insertion loss	max. 0.3 dB
Return loss	min. 65 dB

Mechanical characteristics

Life - Number of mating cycles	min. 1000
strain relief	yes

Materials and material properties

Material - Housing	Plastics
Material - Sleeve	ceramic, slotted
Material - Coupler housing	Plastics

Technical Data

Approvals

RoHS compliant

The product meets the following standards

Fibre optic connector interfaces	DIN EN 61754-4
Optical fibers: Indoor optical cables	
Sectional specification for class B single-mode fibres	ISO/IEC 60793-2-50 type B6_a/B6_b
Optical fibers - Interconnecting devices and passive components - basic test and measuring methods	
Fibre optic interconnecting devices and passive components	IEC 61300-3-4
Fibre optic interconnecting devices and passive components	IEC 61300-3-6
Fibre optic interconnecting devices and passive components	IEC 61300-3-35
Standard colours for insulation for low-frequency cables & wires	IEC 60304
ITU-T standard	ITU-T G.657.A2 and G.657.B2, compatible with ITU-T G.652.D

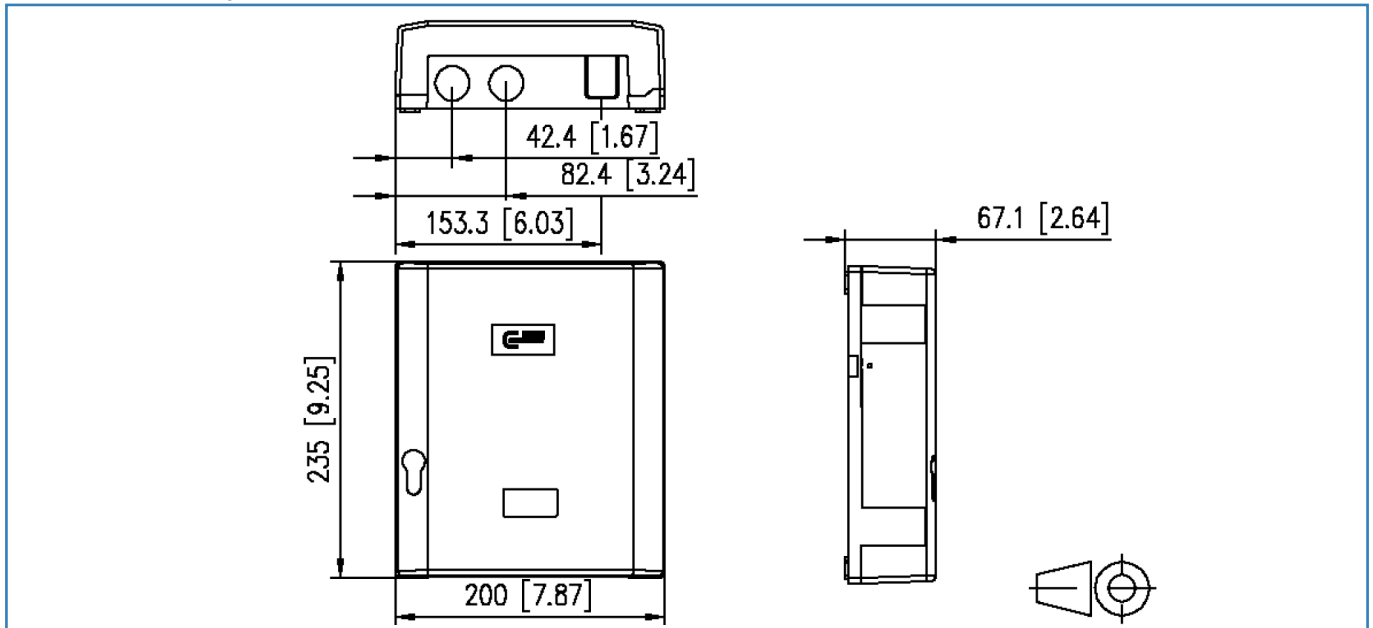
Packing details

Type of packaging 1 pc(s) / box



Illustrations

Dimensional drawing



Cut-out

