

## Data sheet

### OpDAT ST adapter SM (ceramic, metallike)

Page 1/4

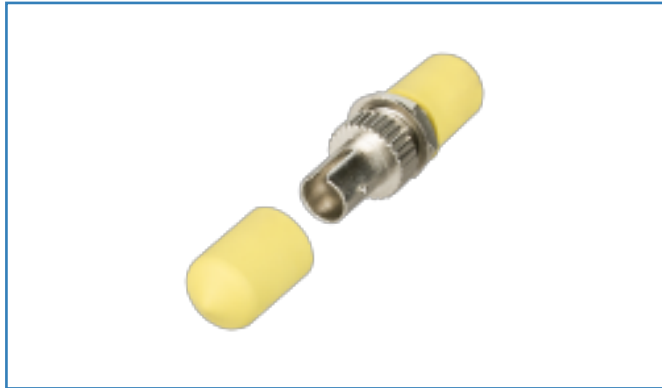
P/N

15090001-I

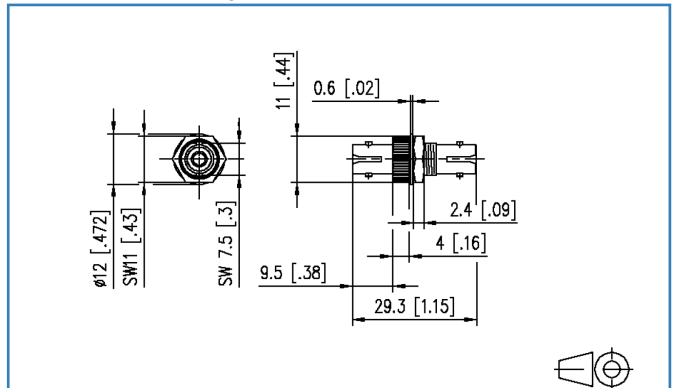
EAN 4250184109440

2018-05-01

## Illustrations



Dimensional drawing



See enlarged drawings at the end of document

## Product specification

- ST simplex adapter made of zinc die-cast
- slotted ceramic guide sleeve for single mode and multimode applications
- high material stability, surface quality and durability
- durability min. 1000 mating cycles
- screws included
- variants: packing units of one piece or 100 pieces

### Technical Data

#### General Data

Fields of application	Structured building cabling, Fiber to the Desk, Data center
Design	Adapter
Transmission technology	Fiber optic
Color	metallike
Dimensions	
Dimension (L x W x H)	29.00 x 11.00 x 11.00 mm
Dimension (L x W x H)	1.142 x 0.433 x 0.433 in.
Mode type of the fiber	Singlemode + Multimode

#### Connections/interfaces

Connector technology interface 1	ST
Connector technology interface 2	ST
Number of ports interface 1	1
Number of ports interface 2	1
Number of equipped ports interface 1	1
Number of ports interface 2 equipped	1
Number of ports with dust protection interface 1	1
Number of ports with dust protection interface 2	1

#### Mechanical characteristics

Cut-out	ST
Connector type	Simplex
Life - Number of mating cycles	min. 1000

#### Materials and material properties

Material - Housing	GD-Zn (zinc die-cast)
Material - Sleeve	ceramic, slotted

#### Approvals

RoHS	compliant
------	-----------



**OpDAT ST adapter SM (ceramic, metallike)**

P/N

15090001-I

EAN 4250184109440

2018-05-01

**Technical Data****The product meets the following standards**

Fibre optic connector interfaces	IEC 61754-2
----------------------------------	-------------

**Classifications**

ETIM 5.0	EC000752
----------	----------

ETIM 6.0	EC000752
----------	----------

**Packing details**

Type of packaging	1 pc(s) / plastic bag
-------------------	-----------------------

Packaging unit - Weight (gram)	16.00 g
--------------------------------	---------

Packaging unit - Weight (pound)	0.04 lb
---------------------------------	---------

Packaging dimension (D x W x H)	380.00 x 160.00 x 100.00 mm
---------------------------------	-----------------------------



**Data sheet  
OpDAT ST adapter SM (ceramic, metallike)**

Page 4/4

P/N  
15090001-I

EAN 4250184109440

2018-05-01

**Illustrations**

Dimensional drawing

