

Data sheet

OpDAT LC-D adapter OM3 (aqua)

Page 1/4

P/N

15090077-I

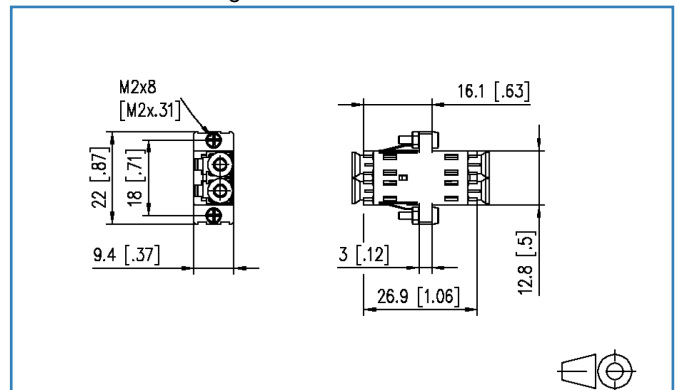
EAN 4250184144571

2018-13-03

Illustrations



Dimensional drawing



See enlarged drawings at the end of document

Product specification

- LC duplex plastic adapter, SC simplex design with metal clip
- slotted ceramic guide sleeves for single mode and multimode applications
- with transparent dust protection caps for a better visibility during red light test
- high material stability, surface quality and durability
- durability min. 1000 mating cycles with a ceramic guide sleeve
- screws and nuts included
- variants: blue (OS2), green (OS2 APC), lime green (OM5), violet (OM4), aqua (OM3), each variant available in packing units of 1 piece or 50 pieces

Data sheet OpDAT LC-D adapter OM3 (aqua)

Page 2/4

P/N
15090077-I

EAN 4250184144571

2018-13-03

Technical Data

General Data

Fields of application	Structured building cabling, Fiber to the Desk, Data center
Design	Adapter
Transmission technology	Fiber optic
Color	aqua
Dimensions	
Dimension (L x W x H)	29.20 x 12.80 x 9.40 mm
Dimension (L x W x H)	1.15 x 0.504 x 0.37 in.
Mode type of the fiber	Multimode
Labeling option	on housing

Connections/interfaces

Connector technology interface 1	LC-D
Connector technology interface 2	LC-D
Number of ports interface 1	1
Number of ports interface 2	1
Number of equipped ports interface 1	1
Number of equipped ports interface 2	1
Number of ports with dust protection interface 1	1
Number of ports with dust protection interface 2	1

Mechanical characteristics

Cut-out	SC, LC-D, E2000
Connector type	Duplex
Mounting method	latchable and screwable
Life - Number of mating cycles	min. 1000
Position/mounting of latch - standard installation position	top

Materials and material properties

Material - Housing	Plastics
Material - Sleeve	ceramic, slotted



Data sheet OpDAT LC-D adapter OM3 (aqua)

Page 3/4

P/N
15090077-I

EAN 4250184144571

2018-13-03

Technical Data

Approvals

RoHS compliant

The product meets the following standards

Fibre optic connector interfaces IEC 61754-20

Classifications

ETIM 5.0 EC000752

ETIM 6.0 EC000752

Packing details

Type of packaging	1 pc(s) / plastic bag
Packaging unit - Weight (gram)	12.00 g
Packaging unit - Weight (pound)	0.03 lb
Packaging dimension (D x W x H)	380.00 x 160.00 x 100.00 mm
Packaging dimension (D x W x H)	14.961 x 6.299 x 3.937 in.



Illustrations

Dimensional drawing

