

# Data sheet

## OpDAT LC-Q adapter OM3 (aqua)

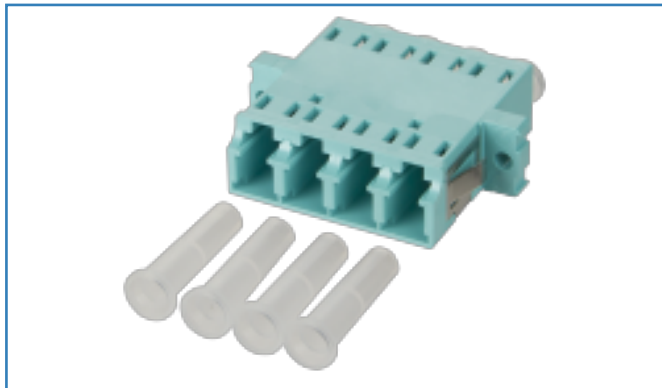
Page 1/4

P/N  
15090078-I

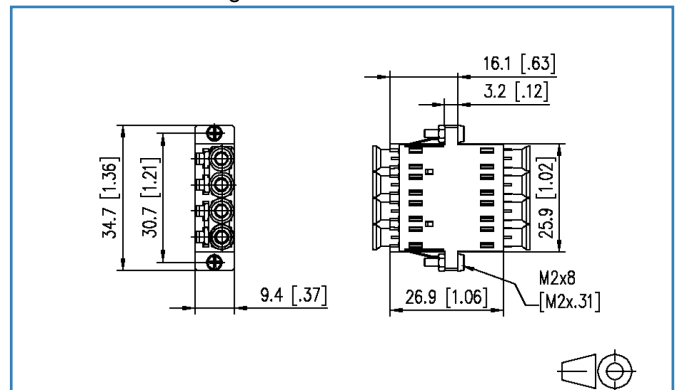
EAN 4250184149347

2018-13-03

### Illustrations



Dimensional drawing



See enlarged drawings at the end of document

### Product specification

- LC Quad plastic adapter, SC duplex design with metal clip
- slotted ceramic guide sleeves for single mode and multimode applications
- with transparent dust protection caps for a better visibility during red light test
- high material stability, surface quality and durability
- durability min. 1000 mating cycles with a ceramic guide sleeve
- screws and nuts included
- variants: blue (OS2), green (OS2 APC), lime green (OM5), violet (OM4), aqua (OM3), each variant available in packing units of 1 piece or 30 pieces

## Data sheet OpDAT LC-Q adapter OM3 (aqua)

Page 2/4

P/N  
15090078-I

EAN 4250184149347

2018-13-03

### Technical Data

#### General Data

Fields of application	Structured building cabling, Fiber to the Desk, Data center
Design	Adapter
Transmission technology	Fiber optic
Color	aqua
Dimensions	
Dimension (L x W x H)	25.50 x 34.70 x 9.40 mm
Dimension (L x W x H)	1.004 x 1.366 x 0.37 in.
Mode type of the fiber	Multimode
Labeling option	on housing

#### Connections/interfaces

Connector technology interface 1	LC-Q
Connector technology interface 2	LC-Q
Number of ports interface 1	2
Number of ports interface 2	2
Number of equipped ports interface 1	2
Number of equipped ports interface 2	2
Number of ports with dust protection interface 1	2
Number of ports with dust protection interface 2	2

#### Mechanical characteristics

Cut-out	SC-D, LC-Q, ST-D
Connector type	Duplex
Mounting method	latchable and screwable
Life - Number of mating cycles	min. 1000
Position/mounting of latch - standard installation position	top

#### Materials and material properties

Material - Housing	Plastics
Material - Sleeve	ceramic, slotted



## Data sheet OpDAT LC-Q adapter OM3 (aqua)

Page 3/4

P/N  
15090078-I

EAN 4250184149347

2018-13-03

### Technical Data

#### Approvals

RoHS compliant

#### The product meets the following standards

Fibre optic connector interfaces IEC 61754-20

#### Classifications

ETIM 5.0 EC000752

ETIM 6.0 EC000752

#### Packing details

Type of packaging	1 pc(s) / plastic bag
Packaging unit - Weight (gram)	17.00 g
Packaging unit - Weight (pound)	0.04 lb
Packaging dimension (D x W x H)	380.00 x 160.00 x 100.00 mm
Packaging dimension (D x W x H)	14.961 x 6.299 x 3.937 in.



**Illustrations**

Dimensional drawing

