

Data sheet

OpDAT LC-Q adapter MM (ceramic, lime green)

Page 1/4

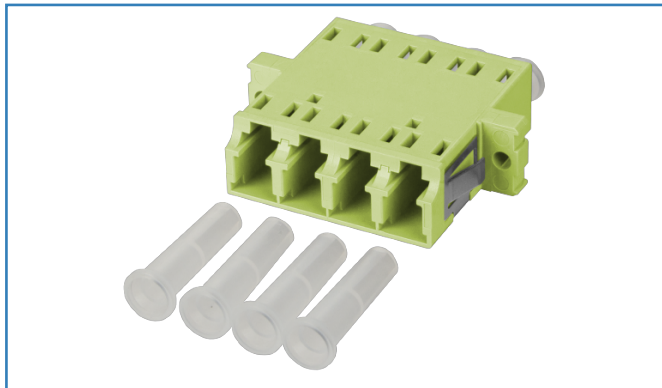
P/N

1509007L-I

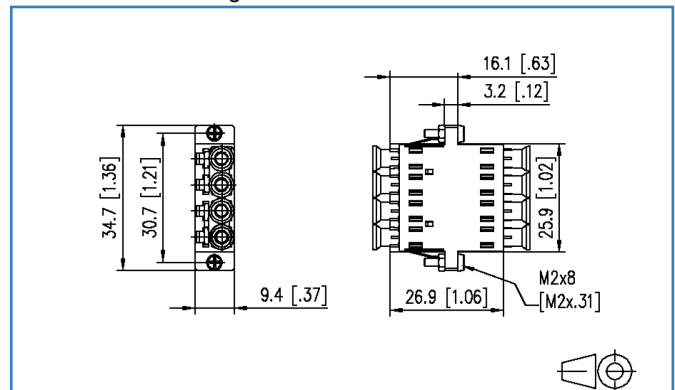
EAN 4251394604510

2018-09-01

Illustrations



Dimensional drawing



See enlarged drawings at the end of document

Product specification

- LC Quad plastic adapter, SC duplex design with metal clip
- slotted ceramic guide sleeves for single mode and multimode applications
- with transparent dust protection caps for a better visibility during red light test
- high material stability, surface quality and durability
- durability min. 1000 mating cycles with a ceramic guide sleeve
- screws and nuts included
- variants: blue (OS2), green (OS2 APC), lime green (OM5), violet (OM4), aqua (OM3), each variant available in packing units of 1 piece or 30 pieces

Technical Data

General Data

Fields of application	Structured building cabling, Fiber to the Desk, Data center
Design	coupler / adapter (bei LWL)
Transmission technology	Fiber optic
Color	lime green
Dimensions	
Dimension (L x W x H)	25.50 x 34.70 x 9.40 mm
Dimension (L x W x H)	1.004 x 1.366 x 0.37 in.
Mode type of the fiber	Multimode
Labeling option	on housing

Connections/interfaces

Connector technology interface 1	LC-Q
Connector technology interface 2	LC-Q
Number of ports interface 1	2
Number of ports interface 2	2
Number of equipped ports interface 1	2
Number of ports interface 2 equipped	2
Number of ports with dust protection interface 1	2
Number of ports with dust protection interface 2	2

Mechanical characteristics

Cut-out	SC-D, LC-Q, ST-D
Connector type	Duplex
Mounting method	latchable and screwable
Life - Number of mating cycles	min. 1000
Position/mounting of latch - standard installation position	top

Materials and material properties

Material - Housing	Plastics
Material - Sleeve	ceramic, slotted



Technical Data

Approvals

RoHS	compliant
------	-----------

The product meets the following standards

Fibre optic connector interfaces	IEC 61754-20
----------------------------------	--------------

Classifications

ETIM 5.0	EC000752
----------	----------

ETIM 6.0	EC000752
----------	----------

Packing details

Type of packaging	1 pc(s) / plastic bag
-------------------	-----------------------

Packaging unit - Weight (gram)	17.00 g
--------------------------------	---------

Packaging unit - Weight (pound)	0.04 lb
---------------------------------	---------

Packaging dimension (D x W x H)	380.00 x 160.00 x 100.00 mm
---------------------------------	-----------------------------



Illustrations

Dimensional drawing

