

Data sheet

OpDAT SC-D/ST coupler MM (Ph-Br)

Page 1/4

P/N
150900C3-I

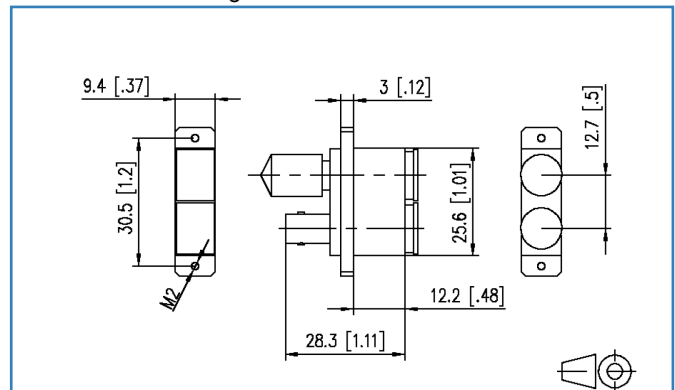
EAN 4250184118114

2015-01-07

Illustrations



Dimensional drawing



See enlarged drawings at the end of document

Product specification

- housing of the SC-D/ST coupler made of zinc die-casting; screws included in the delivery
- slotted sleeve made of ceramics for single mode applications
- slotted sleeve made of metal (Ph-Br) for multi mode applications
- high material stability and surface quality and long service life
- min. service life 1000 plug-in cycles for sleeve made of ceramics
- min. service life 500 plug-in cycles for sleeve made of metal (Ph-Br)
- variants: ceramics, Ph-Br

Data sheet
OpDAT SC-D/ST coupler MM (Ph-Br)

Page 2/4

P/N
150900C3-I
EAN 4250184118114

2015-01-07

Technical Data

General Data

Design	Adapter
Transmission technology	Fiber optic
Color	metallike
Dimensions	
Dimension (L x W x H)	28.30 x 25.60 x 9.40 mm
Dimension (L x W x H)	1.11 x 1.01 x 0.37 in.
Mode type of the fiber	Multimode

Connections/interfaces

Connector technology interface 1	SC-D/ST
Connector technology interface 2	SC-D/ST
Number of ports interface 1	1
Number of ports interface 2	1
Number of equipped ports interface 1	1
Number of ports interface 2 equipped	1
Number of ports with dust protection interface 1	1
Number of ports with dust protection interface 2	1

Mechanical characteristics

Cut-out	SC-D, LC-Q, ST-D
Connector type	Duplex
Mounting method	screwable
Life - Number of mating cycles	min. 500

Materials and material properties

Material - Housing	GD-Zn (zinc die-cast)
Material - Sleeve	PhBr, slotted

Certifications

Gost Certification	yes
--------------------	-----

Data sheet

Page 3/4

OpDAT SC-D/ST coupler MM (Ph-Br)

P/N

150900C3-I

EAN 4250184118114

2015-01-07

Technical Data**Approvals**

RoHS compliant

Classifications

ETIM 5.0 EC000752

Packing details

Type of packaging 1 pc(s) / plastic bag

Packaging unit - Weight (gram) 24.00 g

Packaging unit - Weight (pound) 0.05 lb



Data sheet
OpDAT SC-D/ST coupler MM (Ph-Br)

Page 4/4

P/N
150900C3-I

EAN 4250184118114

2015-01-07

Illustrations

Dimensional drawing

