

## Data sheet

### OpDAT SC-D adapter SM (ceramic, metallike/blue)

Page 1/4

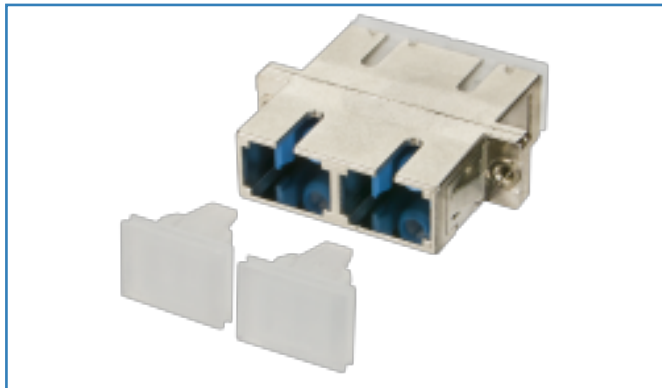
P/N

150900D2-I

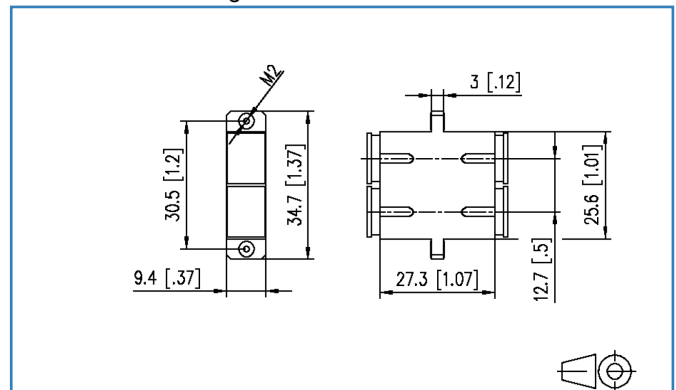
EAN 4250184111733

2017-30-05

## Illustrations



Dimensional drawing



See enlarged drawings at the end of document

## Product specification

- SC duplex adapter made of zinc die-cast
- slotted ceramic guide sleeves for singlemode and multimode applications
- with transparent dust protection caps for a better visibility during red light test
- high material stability, surface quality and durability
- durability min. 1000 mating cycles
- screws included
- variants: SC-D (SM or MM), SC-D APC (SM), packing units of 1 piece or 30 pieces

## OpDAT SC-D adapter SM (ceramic, metallike/blue)

P/N

150900D2-I

EAN 4250184111733

2017-30-05

### Technical Data

#### General Data

Design	Adapter
Transmission technology	Fiber optic
Color	metallike
Dimensions	
Dimension (L x W x H)	27.40 x 34.70 x 9.40 mm
Dimension (L x W x H)	1.079 x 1.366 x 0.37 in.
Mode type of the fiber	Single mode
Labeling option	on housing

#### Connections/interfaces

Connector technology interface 1	SC-D
Connector technology interface 2	SC-D
Number of ports interface 1	1
Number of ports interface 2	1
Number of equipped ports interface 1	1
Number of ports interface 2 equipped	1
Number of ports with dust protection interface 1	1
Number of ports with dust protection interface 2	1

#### Mechanical characteristics

Cut-out	SC-D, LC-Q, ST-D
Connector type	Duplex
Mounting method	latchable and screwable
Life - Number of mating cycles	min. 1000

#### Materials and material properties

Material - Housing	GD-Zn (zinc die-cast)
Material - Sleeve	ceramic, slotted

#### Environmental conditions

Temperature (min. - max.)	
Temperature - Storage °C	-40 - 90 °C
Temperature - Storage °F	-40 - 194 °F
Temperature - Operating °C	-40 - 85 °C
Temperature - Operating °F	-40 - 185 °F

Data sheet

Page 3/4

## OpDAT SC-D adapter SM (ceramic, metallike/blue)

P/N

150900D2-I

EAN 4250184111733

2017-30-05

### Technical Data

#### Approvals

RoHS	compliant
------	-----------

#### The product meets the following standards

Fibre optic connector interfaces	IEC 61754-2
----------------------------------	-------------

#### Classifications

ETIM 5.0	EC000752
ETIM 6.0	EC000752

#### Packing details

Type of packaging	1 pc(s) / plastic bag
Packaging unit - Weight (gram)	22.00 g
Packaging unit - Weight (pound)	0.05 lb



Illustrations

Dimensional drawing

