

Data sheet

OpDAT ST-D/SC-D adapter SM (ceramic, metallike)

Page 1/4

P/N

150900D3-I

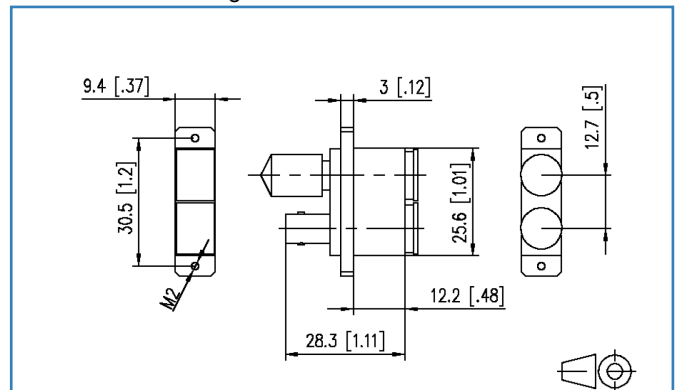
EAN 4250184135265

2017-30-05

Illustrations



Dimensional drawing



See enlarged drawings at the end of document

Product specification

- ST/SC duplex adapter made of zinc die-cast
- slotted ceramic guide sleeves for single mode and multimode applications
- high material stability, surface quality and durability
- durability min. 1000 mating cycles
- screws included
- variants: packing units of 1 piece or 30 pieces

Technical Data

General Data

Design	Adapter
Transmission technology	Fiber optic
Color	metallike
Dimensions	
Dimension (L x W x H)	28.30 x 25.60 x 9.40 mm
Dimension (L x W x H)	1.114 x 1.008 x 0.37 in.
Mode type of the fiber	Single mode

Connections/interfaces

Connector technology interface 1	SC-D/ST
Connector technology interface 2	SC-D/ST
Number of ports interface 1	1
Number of ports interface 2	1
Number of equipped ports interface 1	1
Number of ports interface 2 equipped	1
Number of ports with dust protection interface 1	1
Number of ports with dust protection interface 2	1

Mechanical characteristics

Cut-out	SC-D, LC-Q, ST-D
Connector type	Duplex
Mounting method	screwable
Life - Number of mating cycles	min. 1000

Materials and material properties

Material - Housing	GD-Zn (zinc die-cast)
Material - Sleeve	ceramic, slotted

Approvals

RoHS	compliant
------	-----------



OpDAT ST-D/SC-D adapter SM (ceramic, metallike)

P/N

150900D3-I

EAN 4250184135265

2017-30-05

Technical Data**The product meets the following standards**

Fibre optic connector interfaces	IEC 61754-4 / IEC 61754-2
----------------------------------	---------------------------

Classifications

ETIM 5.0	EC000752
----------	----------

ETIM 6.0	EC000752
----------	----------

Packing details

Type of packaging	1 pc(s) / plastic bag
-------------------	-----------------------

Packaging unit - Weight (gram)	24.00 g
--------------------------------	---------

Packaging unit - Weight (pound)	0.05 lb
---------------------------------	---------



Illustrations

Dimensional drawing

