

Data sheet

OpDAT SC-D adapter SM (ceramic, blue)

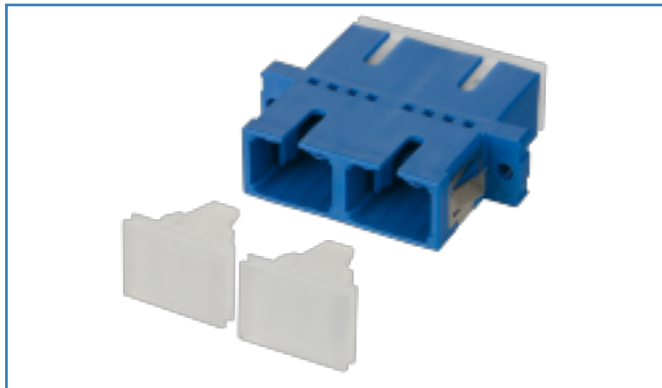
Page 1/4

P/N
150900E2-I

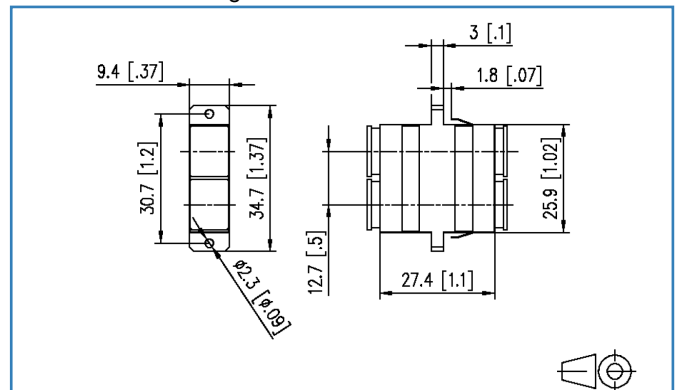
EAN 4250184151890

2017-30-05

Illustrations



Dimensional drawing



See enlarged drawings at the end of document

Product specification

- SC duplex plastic adapter with metal clip
- slotted ceramic guide sleeves for single mode and multimode applications
- with transparent dust protection caps for a better visibility during red light test
- high material stability, surface quality and durability
- durability min. 1000 mating cycles
- screws and nuts included
- variants: blue (SM), green (SM APC), heather violet (OM4), aqua (OM3), beige (OM2), each variant available in packing units of 1 piece or 30 pieces

Technical Data

General Data

Fields of application	Fiber to the Desk
Design	Adapter
Transmission technology	Fiber optic
Color	blue
Dimensions	
Dimension (L x W x H)	25.60 x 27.30 x 9.40 mm
Dimension (L x W x H)	1.008 x 1.075 x 0.37 in.
Mode type of the fiber	Single mode
Labeling option	on housing

Connections/interfaces

Connector technology interface 1	SC-D
Connector technology interface 2	SC-D
Number of ports interface 1	1
Number of ports interface 2	1
Number of equipped ports interface 1	1
Number of ports interface 2 equipped	1
Number of ports with dust protection interface 1	1
Number of ports with dust protection interface 2	1

Mechanical characteristics

Cut-out	SC-D, LC-Q, ST-D
Connector type	Duplex
Mounting method	latchable and screwable
Life - Number of mating cycles	min. 1000

Materials and material properties

Material - Housing	Plastics
Material - Sleeve	ceramic, slotted



Technical Data

Environmental conditions

Temperature (min. - max.)

Temperature - Storage °C -40 - 90 °C

Temperature - Storage °F -40 - 194 °F

Temperature - Operating °C -40 - 85 °C

Temperature - Operating °F -40 - 185 °F

Approvals

RoHS compliant

The product meets the following standards

Fibre optic connector interfaces IEC 61754-4

Classifications

ETIM 5.0 EC000752

ETIM 6.0 EC000752

Packing details

Type of packaging 1 pc(s) / plastic bag

Packaging unit - Weight (gram) 10.00 g

Packaging unit - Weight (pound) 0.02 lb



Data sheet OpDAT SC-D adapter SM (ceramic, blue)

Page 4/4

P/N
150900E2-I

EAN 4250184151890

2017-30-05

Illustrations

Dimensional drawing

