

## Data sheet

### OpDAT SC-D APC adapter SM (ceramic, green)

Page 1/4

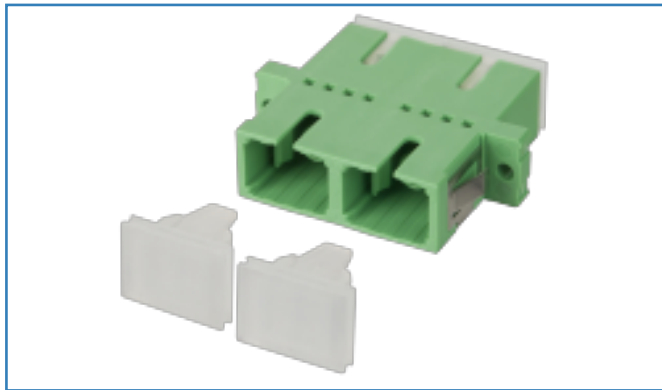
P/N

150900F2-I

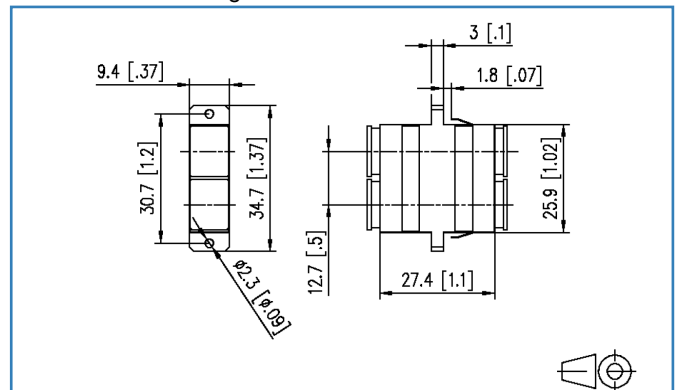
EAN 4250184152187

2017-30-05

## Illustrations



Dimensional drawing



See enlarged drawings at the end of document

## Product specification

- SC duplex plastic adapter with metal clip
- slotted ceramic guide sleeves for single mode and multimode applications
- with transparent dust protection caps for a better visibility during red light test
- high material stability, surface quality and durability
- durability min. 1000 mating cycles
- screws and nuts included
- variants: blue (SM), green (SM APC), heather violet (OM4), aqua (OM3), beige (OM2), each variant available in packing units of 1 piece or 30 pieces

## OpDAT SC-D APC adapter SM (ceramic, green)

P/N  
150900F2-I

EAN 4250184152187

2017-30-05

### Technical Data

#### General Data

Fields of application	Fiber to the Desk
Design	Adapter
Transmission technology	Fiber optic
Color	green
Dimensions	
Dimension (L x W x H)	25.60 x 27.30 x 9.40 mm
Dimension (L x W x H)	1.008 x 1.075 x 0.37 in.
Mode type of the fiber	Single mode
Shape	APC (Angled Physical Contact)
Labeling option	on housing

#### Connections/interfaces

Connector technology interface 1	SC-D
Connector technology interface 2	SC-D
Number of ports interface 1	1
Number of ports interface 2	1
Number of equipped ports interface 1	1
Number of ports interface 2 equipped	1
Number of ports with dust protection interface 1	1
Number of ports with dust protection interface 2	1

#### Mechanical characteristics

Cut-out	SC-D, LC-Q, ST-D
Connector type	Duplex
Mounting method	latchable and screwable
Life - Number of mating cycles	min. 1000

#### Materials and material properties

Material - Housing	Plastics
Material - Sleeve	ceramic, slotted



### Technical Data

#### Environmental conditions

Temperature (min. - max.)

Temperature - Storage °C	-40 - 90 °C
Temperature - Storage °F	-40 - 194 °F
Temperature - Operating °C	-40 - 85 °C
Temperature - Operating °F	-40 - 185 °F

#### Approvals

RoHS	compliant
------	-----------

#### The product meets the following standards

Fibre optic connector interfaces	IEC 61754-4
----------------------------------	-------------

#### Classifications

ETIM 5.0	EC000752
ETIM 6.0	EC000752

#### Packing details

Type of packaging	1 pc(s) / plastic bag
Packaging unit - Weight (gram)	10.00 g
Packaging unit - Weight (pound)	0.02 lb



### Illustrations

Dimensional drawing

