

## Data sheet

### OpDAT patch cord LC-D/2xST OM3

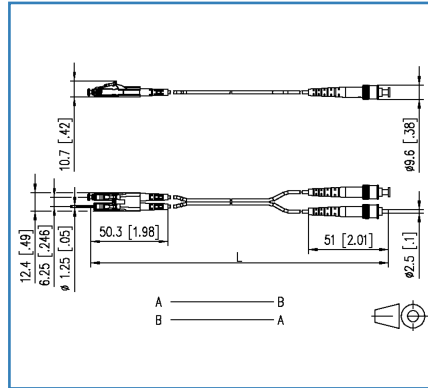
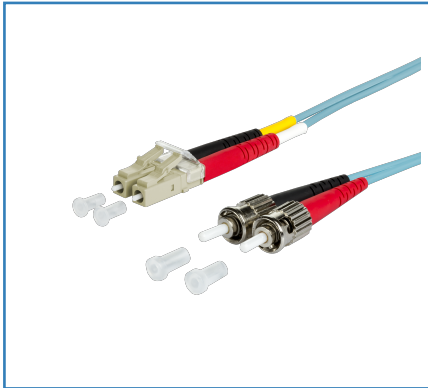
Page 1/5

P/N  
151J1JOAOXXE

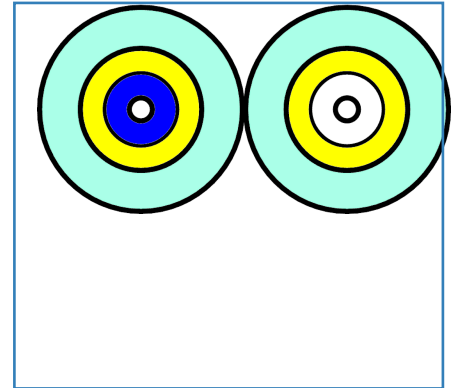
2018-13-03

#### Illustrations

Produktbild 151J1JOAOXXE (OM3 - LC-D Dimensional drawing



Principle diagram



See enlarged drawings at the end of document

#### Product specification

- multi mode patch cord I-V(ZN)H 50/125 OM3
- laser-optimized, bending-resistant Multi mode fiber OM3, G50/125  $\mu\text{m}$  according to IEC 60793-2-10 type A1a.2
- outer diameter 2.0 x 4.2 mm
- halogen-free LSHF-FR sheath with low smoke development, flame retardant
- duplex cord as zipcord (figure 8) with two tight buffered cables and aramide strain relief
- 100 % tested
- maximum length: 20 m
- all available variants can be created with the cable configurator

## Technical Data

### General Data

Fields of application	Office Data center
Design	Patch cords
Transmission technology	Fiber optic
Wiring	crossed
Color	aqua
Dimensions	
Dimension - Interface 1 (L x W x H)	50.30 x 12.40 x 10.70 mm
Dimension - Interface 1 (L x W x H)	1.98 x 0.488 x 0.421 in.
Dimension - Interface 2 (L x H)	51.00 x 9.60 mm
Dimension - Interface 2 (L x H)	2.008 x 0.378 in.
Mode type of the fiber	Multimode
Fiber class	OM3: ISO/IEC 11801/EN 50173 & IEC 60793-2-10/EN 60793-2-10 A1.a.2
Number of cables/ cores	2
Fiber construction	50/125 µm
Maximum length	20.00 m
Weight	8.0 kg/km

### Connections/interfaces

Connector technology interface 1	LC-D
Connector technology interface 2	ST

### Optical characteristics

Insertion loss	max. 0.4 dB
Return loss	min. 35 dB

### Mechanical characteristics

strain relief	aramide fibres
Maximum installation load	15.00 mm
Maximum installation load	0.591 in.



### Technical Data

#### Materials and material properties

Bend insensitivity	yes
Flame retardancy	yes
Halogen free	yes

#### Environmental conditions

Temperature (min. - max.)	
Temperature - Storage °C	-10 - 60 °C
Temperature - Storage °F	14 - 140 °F
Temperature - Operating °C	-10 - 60 °C
Temperature - Operating °F	14 - 140 °F
Temperature - Installation °C	-10 - 60 °C
Temperature - Installation °F	14 - 140 °F

#### Approvals

RoHS	compliant
------	-----------

#### The product meets the following standards

Generic cabling systems	
General requirements	ISO/IEC 11801
Fibre optic connector interfaces	IEC 61754-20 / IEC 61754-2
Optical fibers: Product specifications	
Sectional specification for category A1 multimode fibres	ISO/IEC 60793-2-10 (A1a.2)
Optical fibers - Interconnecting devices and passive components - basic test and measuring methods	
Fibre optic interconnecting devices and passive components	IEC 61300-3-4   IEC 61300-3-6
Test on gases evolved during combustion of materials from cables	
Determination of acidity (by measuring the pH value) and conductivity	IEC 60754-2
Tests on electric and optical fibre cables under fire conditions	
Test for vertical flame propagation for a single insulated wire or cable	IEC 60332-1
Test for vertical flame spread of vertically-mounted bunched wires or cables	ISO/IEC 60332-3-24
Measurement of smoke density of cables burning	ISO/IEC 61034
ITU-T standard	G.651.1



## Technical Data

### Classifications

ETIM 6.0	EC001263
----------	----------

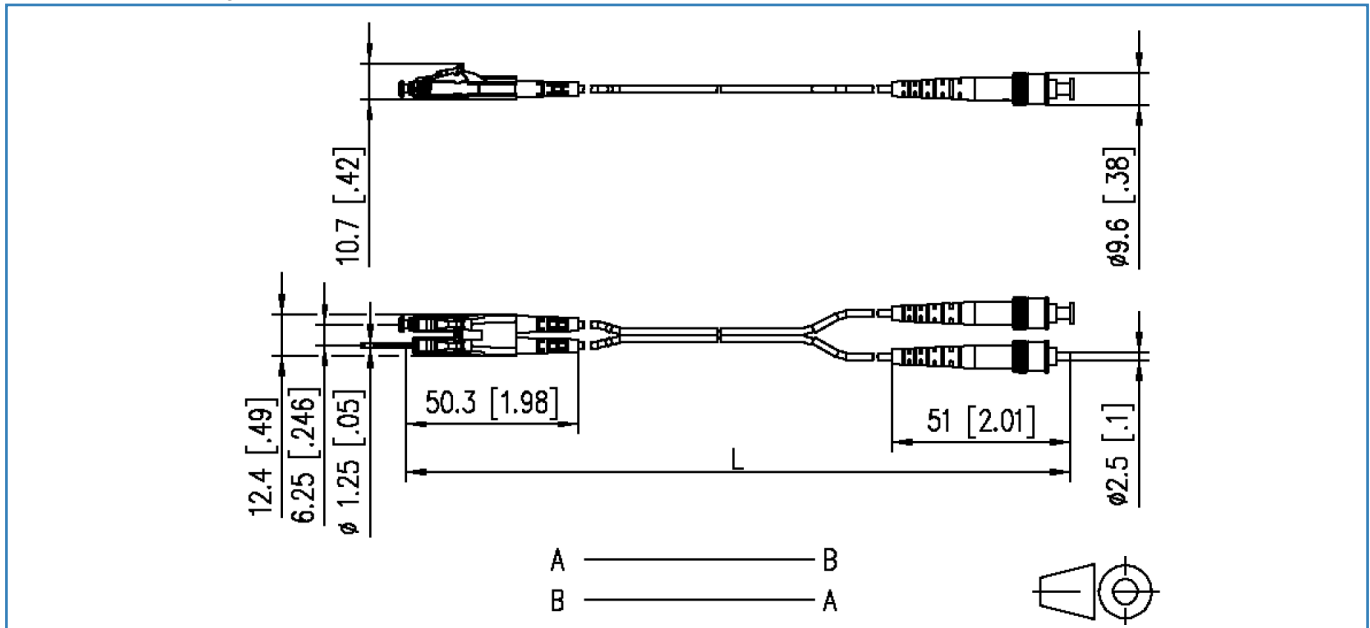
### Packing details

Type of packaging	1 pc(s) / plastic bag
Packaging dimension (W x H x D)	300.00 x 200.00 x 50.00 mm
Packaging dimension (W x H x D)	11.811 x 7.874 x 1.969 in.



**Illustrations**

Dimensional drawing



Principle diagram

