

## Data sheet

### OpDAT patch cord LC-D/LC-D OS2

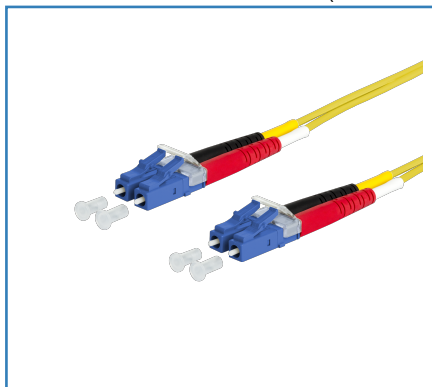
Page 1/5

P/N  
151P1JOJXXE

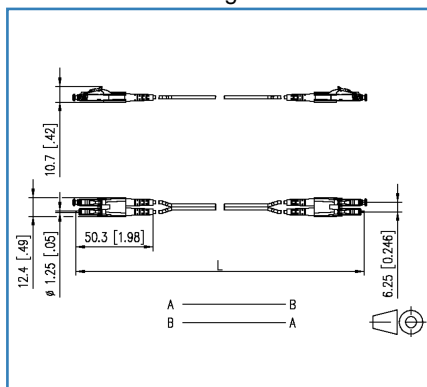
2018-15-02

#### Illustrations

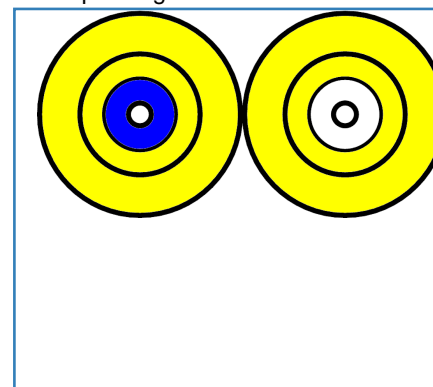
Produktbild 151P1JOJXXE (OS2 - LC-D)



Dimensional drawing



Principle diagram



See enlarged drawings at the end of document

#### Product specification

- single mode patch cord I-V(ZN)H E9/125 OS2
- single mode fiber OS2, E9/125 μm, bend insensitive according to IEC 60793-2-50 type B6\_a and B6\_b and G.657.A2 and B2, compatible to G.652.D
- outer diameter 2.0 x 4.2 mm
- halogen-free LSHF-FR sheath with low smoke development, flame retardant
- duplex cord as zip-cord (figure 8) with two tight buffered fibers and aramide strain relief
- 100 % tested
- maximum length: 20 m
- all available variants can be created with the cable configurator



## Data sheet OpDAT patch cord LC-D/LC-D OS2

Page 2/5

P/N  
151P1JOJXXE

2018-15-02

### Technical Data

#### General Data

Fields of application	Office Data center
Design	Patch cords
Transmission technology	Fiber optic
Wiring	crossed
Color	yellow
Dimensions	
Dimension - Interface 1 (L x W x H)	50.30 x 12.40 x 10.70 mm
Dimension - Interface 1 (L x W x H)	1.98 x 0.488 x 0.421 in.
Dimension - Interface 2 (L x W x H)	50.30 x 12.40 x 10.70 mm
Dimension - Interface 2 (L x W x H)	1.98 x 0.488 x 0.421 in.
Mode type of the fiber	Single mode
Fiber class	OS2: IEC 60793-2-50 B6_a, B6_b & ITU-T G.657.A2, G.657.B2, G.652.D
Number of cables/ cores	2
Shape	UPC (Ultra Physical Contact)
Fiber construction	9/125 µm
Minimum length	0.50 m
Minimum length	1.64 ft
Maximum length	20.00 m
Weight	8.0 kg/km

#### Connections/interfaces

Connector technology interface 1	LC-D
Connector technology interface 2	LC-D
Ferrule diameter	1.25 mm
Ferrule diameter	0.049 in.

#### Optical characteristics

Insertion loss	max. 0.3 dB
Return loss	min. 50 dB

### Technical Data

#### Mechanical characteristics

strain relief	aramide fibres
Maximum installation load	15.00 mm
Maximum installation load	0.591 in.

#### Materials and material properties

Bend insensitivity	yes
Flame retardancy	yes
Halogen free	yes

#### Environmental conditions

Temperature (min. - max.)	
Temperature - Storage °C	-10 - 60 °C
Temperature - Storage °F	14 - 140 °F
Temperature - Operating °C	-10 - 60 °C
Temperature - Operating °F	14 - 140 °F
Temperature - Installation °C	-10 - 60 °C
Temperature - Installation °F	14 - 140 °F

#### Approvals

RoHS	compliant
------	-----------

#### The product meets the following standards

Generic cabling systems	
General requirements	ISO/IEC 11801
Fibre optic connector interfaces	IEC 61754-20
Optical fibers: Indoor optical cables	
Sectional specification for class B single-mode fibres	ISO/IEC 60793-2-50 type B6_a/B6_b
Optical fibers - Interconnecting devices and passive components - basic test and measuring methods	
Fibre optic interconnecting devices and passive components	IEC 61300-3-4   IEC 61300-3-6
Test on gases evolved during combustion of materials from cables	
Determination of acidity (by measuring the pH value) and conductivity	IEC 60754-2



## Data sheet OpDAT patch cord LC-D/LC-D OS2

Page 4/5

P/N  
151P1JOJXXE

2018-15-02

### Technical Data

#### The product meets the following standards

Tests on electric and optical fibre cables under fire conditions

Test for vertical flame propagation for a single insulated wire or cable	IEC 60332-1
Test for vertical flame spread of vertically-mounted bunched wires or cables	ISO/IEC 60332-3-24
Measurement of smoke density of cables burning	ISO/IEC 61034
ITU-T standard	ITU-T G.657.A2 and G.657.B2, compatible with ITU-T G.652.D

#### Classifications

ETIM 6.0	EC001263
----------	----------

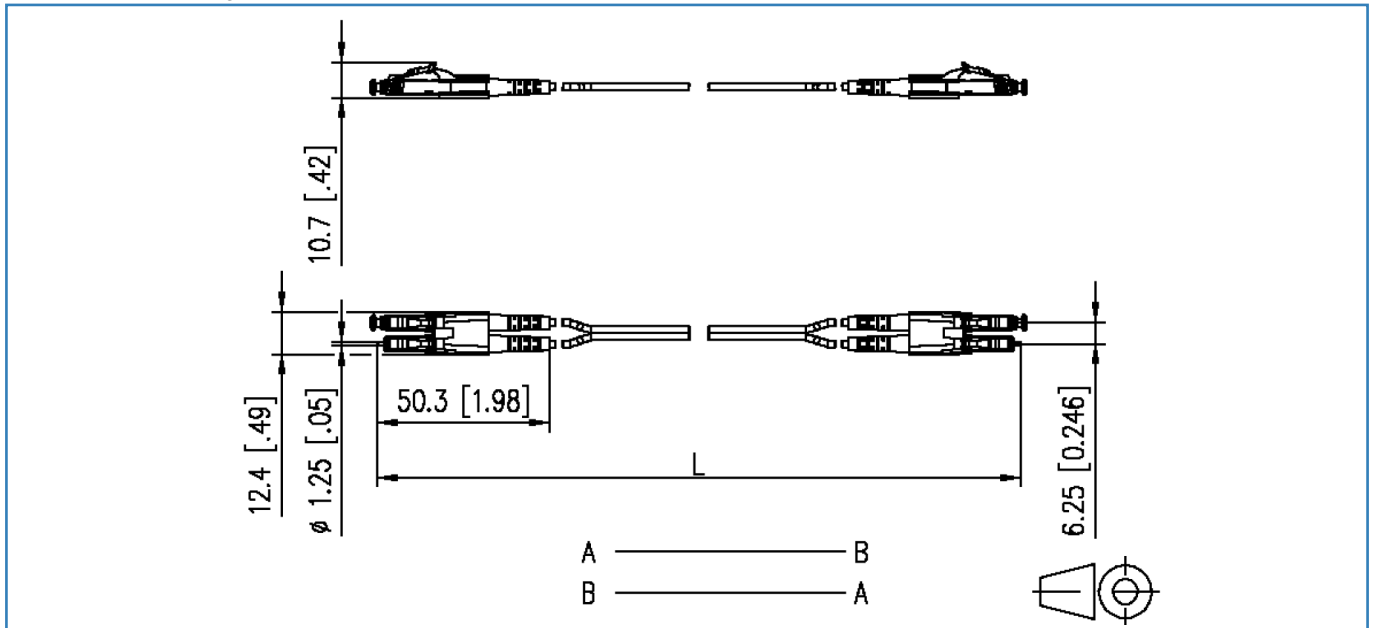
#### Packing details

Type of packaging	1 pc(s) / plastic bag
Packaging dimension (W x H x D)	300.00 x 200.00 x 50.00 mm
Packaging dimension (W x H x D)	11.811 x 7.874 x 1.969 in.

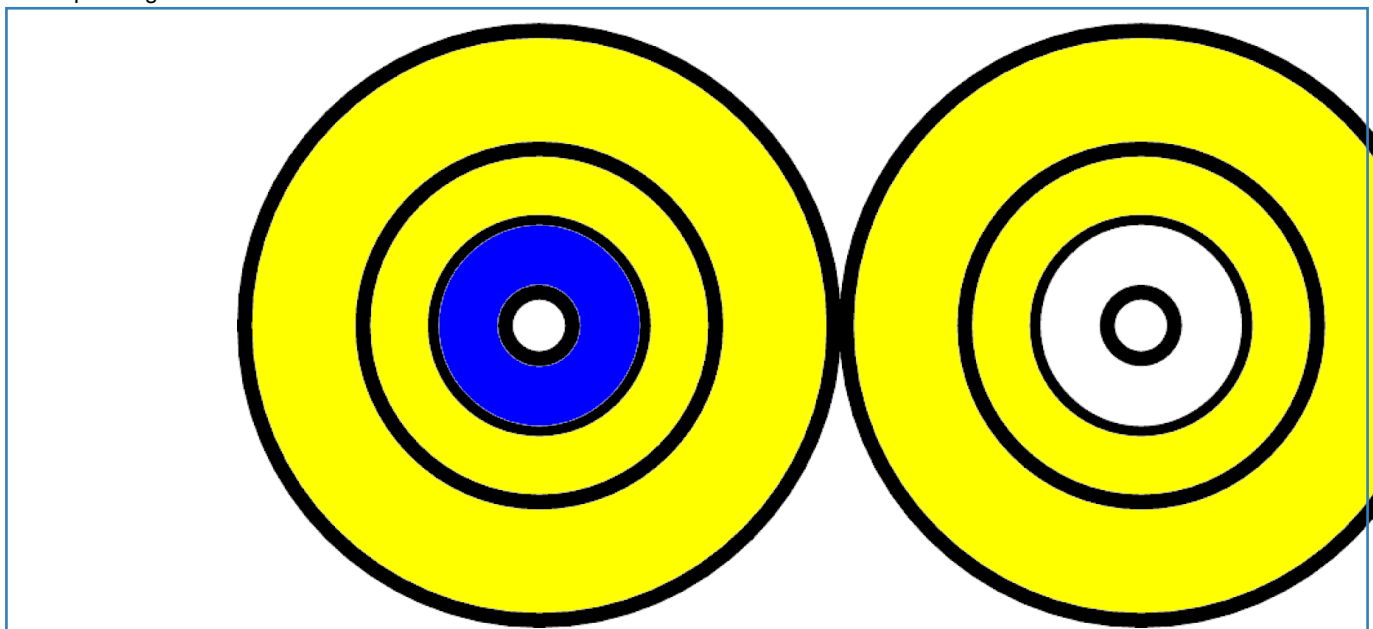


**Illustrations**

Dimensional drawing



Principle diagram



ns! Sous réserve de modifications techniques!

© 2018 N