

Data sheet

OpDAT patch cord SC-D/SC-D OM4

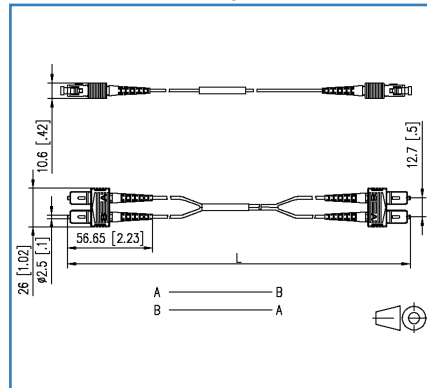
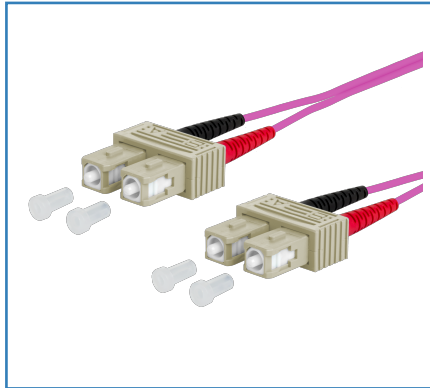
Page 1/5

P/N
151S1EOEOXXE

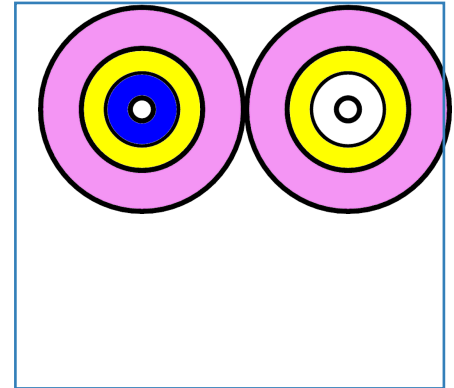
2018-13-03

Illustrations

Produktbild 151S1EOEOXXE (OM4 - SC-D Dimensional drawing



Principle diagram



See enlarged drawings at the end of document

Product specification

- multi mode patch cord I-V(ZN)H 50/125 OM4
- laser-optimized, bend insensitive multimode fiber OM4, G50/125 μm according to IEC 60793-2-10 type A1a.3
- outer diameter 2.0 x 4.2 mm
- halogen-free LSHF-FR sheath with low smoke development, flame retardant
- duplex cord as zipcord (figure 8) with two tight buffered cables and aramide strain relief
- 100 % tested
- maximum length: 20 m

- all available variants can be created with the cable configurator

Technical Data

General Data

Fields of application	Office Data center
Design	Patch cords
Transmission technology	Fiber optic
Wiring	crossed
Color	violet
Dimensions	
Dimension - Interface 1 (L x W x H)	56.65 x 26.00 x 10.60 mm
Dimension - Interface 1 (L x W x H)	2.23 x 1.024 x 0.417 in.
Dimension - Interface 2 (L x W x H)	56.65 x 26.00 x 10.60 mm
Dimension - Interface 2 (L x W x H)	2.23 x 1.024 x 0.417 in.
Mode type of the fiber	Multimode
Fiber class	OM4: ISO/IEC 11801/EN 50173 & IEC 60793-2-10/EN 60793-2-10 A1.a.3
Number of cables/ cores	2
Fiber construction	50/125 µm
Minimum length	0.50 m
Minimum length	1.64 ft
Maximum length	20.00 m
Weight	8.0 kg/km

Connections/interfaces

Connector technology interface 1	SC-D
Connector technology interface 2	SC-D
Ferrule diameter	2.50 mm
Ferrule diameter	0.098 in.

Optical characteristics

Insertion loss	max. 0.4 dB
Return loss	min. 35 dB

Technical Data

Mechanical characteristics

strain relief	aramide fibres
Maximum installation load	15.00 mm
Maximum installation load	0.591 in.

Materials and material properties

Bend insensitivity	yes
Flame retardancy	yes
Halogen free	yes

Environmental conditions

Temperature (min. - max.)	
Temperature - Storage °C	-10 - 60 °C
Temperature - Storage °F	14 - 140 °F
Temperature - Operating °C	-10 - 60 °C
Temperature - Operating °F	14 - 140 °F
Temperature - Installation °C	-10 - 60 °C
Temperature - Installation °F	14 - 140 °F

Approvals

RoHS	compliant
------	-----------

The product meets the following standards

Generic cabling systems	
General requirements	ISO/IEC 11801
Fibre optic connector interfaces	IEC 61754-4
Optical fibers: Product specifications	
Sectional specification for category A1 multimode fibres	ISO/IEC 60793-2-10 (A1a.3)
Optical fibers - Interconnecting devices and passive components - basic test and measuring methods	
Fibre optic interconnecting devices and passive components	IEC 61300-3-4 IEC 61300-3-6
Test on gases evolved during combustion of materials from cables	
Determination of acidity (by measuring the pH value) and conductivity	IEC 60754-2



Technical Data

The product meets the following standards

Tests on electric and optical fibre cables under fire conditions

Test for vertical flame propagation for a single insulated wire or cable	IEC 60332-1
Test for vertical flame spread of vertically-mounted bunched wires or cables	ISO/IEC 60332-3-24
Measurement of smoke density of cables burning	ISO/IEC 61034
ITU-T standard	G.651.1

Classifications

ETIM 6.0	EC001263
----------	----------

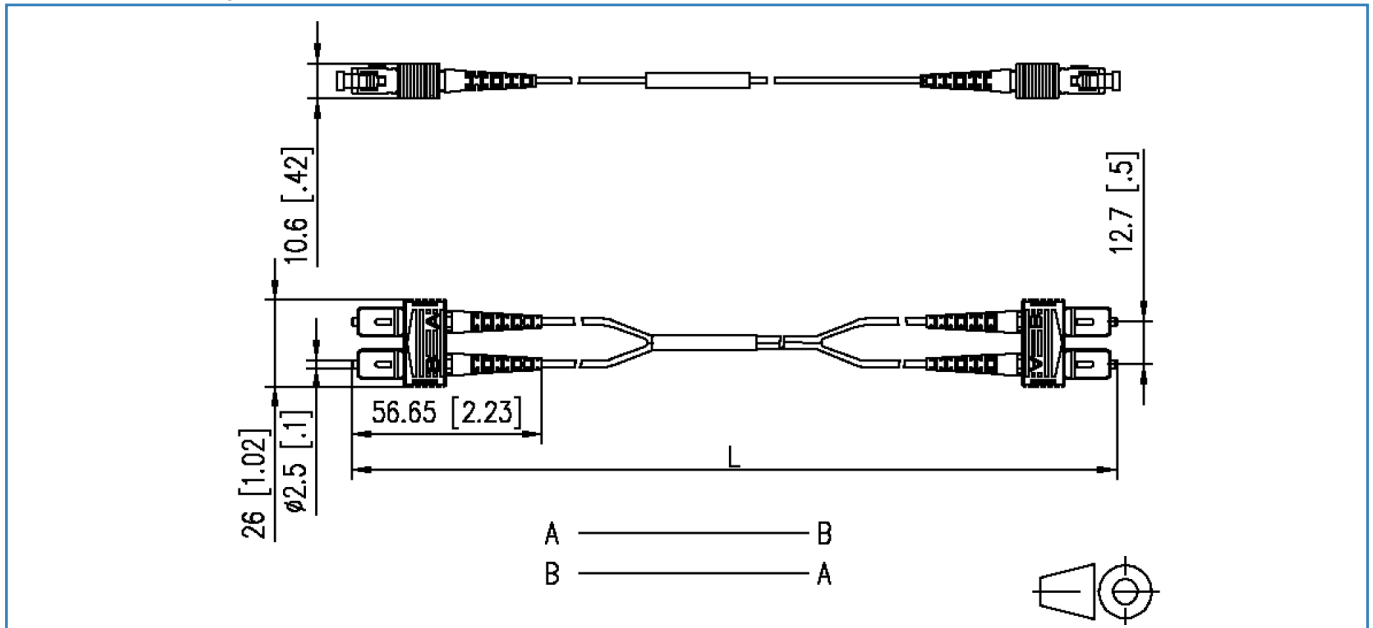
Packing details

Type of packaging	1 pc(s) / plastic bag
Packaging dimension (W x H x D)	300.00 x 200.00 x 50.00 mm
Packaging dimension (W x H x D)	11.811 x 7.874 x 1.969 in.



Illustrations

Dimensional drawing



Principle diagram

